

## TE 680 3D FD

for rebated timber entrance doors



### Product features

- concealed hinge system
- for rebated timber entrance doors
- sideways closed hinge body for a homogeneous mortise appearance
- comfortable 3D adjustment (side +/- 3.0 mm, height +/- 3.0 mm, compression +/- 1.5 mm)
- continuous sealing system
- 18 mm overlap width
- maintenance-free slide bearings

### Technical data

Property	Value
Load capacity	160.0 kg
Width (door part)	40.5 mm
Length (door part)	140.0 mm
Width (frame part)	30.0 mm
Length (frame part)	250.0 mm
Cutter diameter	20.0 mm
Collar ring diameter	30.0 mm
Opening angle	180°

### Quality marks



CE certification



IFT certification



UKCA certification

### Classification code

4	7	7	0	1	- <sup>1</sup>	1	14
---	---	---	---	---	----------------	---	----

<sup>1</sup> depending on the finish

**TECTUS - TE 680 3D FD****Notes**

The load capacity mentioned above refers to the use of 2 hinges per door leaf (1 x 2 m), for detailed information please look at the chapter "technical information".

With an opening position of 180° the door may have to be fixed additionally.

**Installation tools**

Ball catch location routing  
jig TECTUS TE 680 3D FD

Routing jig TECTUS TE  
680 3D FD

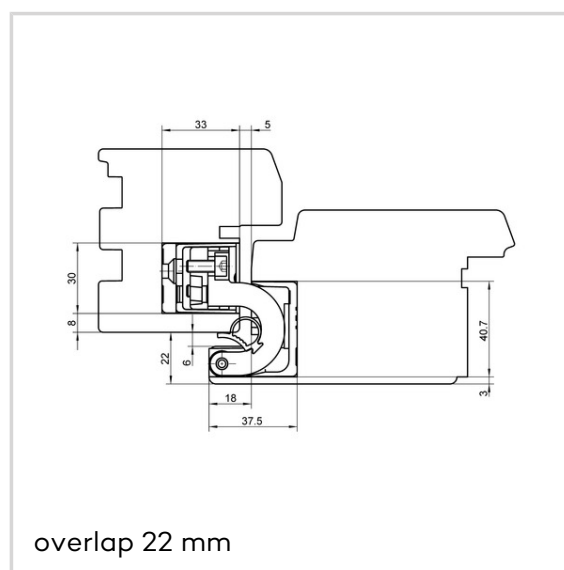
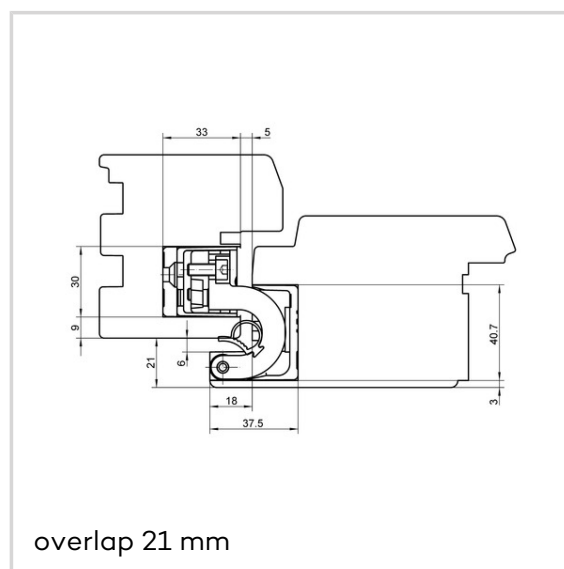
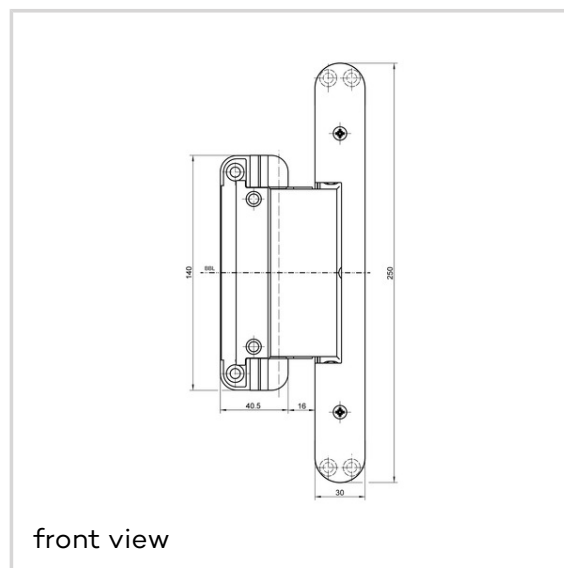
Template 5 251109 5	door, overlap 21 mm and 22 mm
Template 5 251110 5	door, overlap 23 mm and 24 mm
Template 5 251111 5	door, overlap 25 mm, 26 mm and 27 mm
Template 5 251112 5	frame, overlap 21 mm
Template 5 251113 5	frame, overlap 22 mm and 23 mm
Template 5 251114 5	frame, overlap 24 mm and 25 mm
Template 5 251115 5	frame, overlap 26 mm
Template 5 251116 5	frame, overlap 27 mm

**Combinations**

Gasket DS 7435

**Function range**

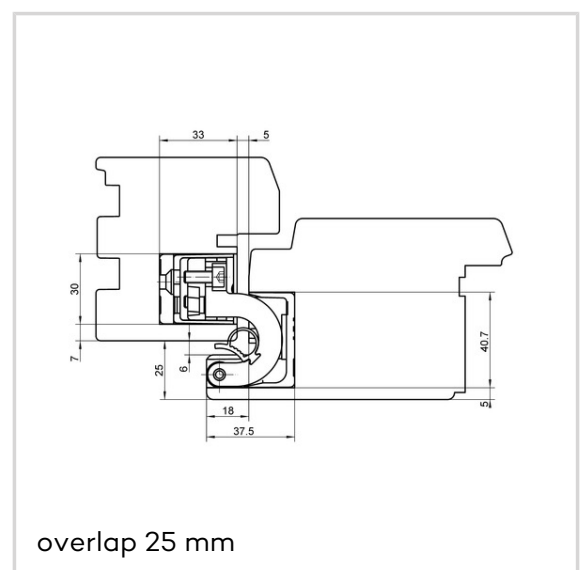
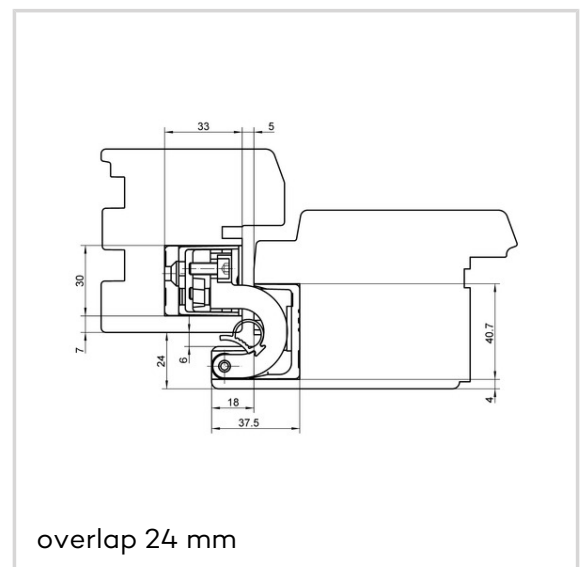
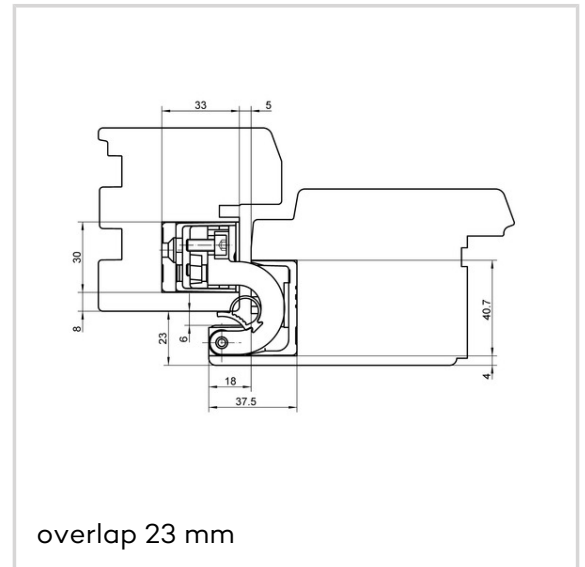
Burglar  
resistance



## TECTUS - TE 680 3D FD

## Item versions

Finish	RAL 9005 Matte Black (SW 107)
VPE	Pack of 2
DIN	DIN right and left hand
Article number	5 400685 0 10703
EAN	4015471138684
Finish	Satin Chrome Look (F1) (SW 124)
VPE	Pack of 2
DIN	DIN right and left hand
Article number	5 400685 0 12403
EAN	4015471125516



**TECTUS - TE 680 3D FD**

