

## TE 645 3D

for unrebated high performance heavy-duty doors



### Product features

- completely concealed hinge system
- for timber, steel or aluminium frames
- for unrebated high performance heavy-duty doors
- sideways closed hinge body for a homogeneous mortise appearance
- with comfortable 3D adjustment (side +/- 3.0 mm, height +/- 3.0 mm, compression +/- 1.0 mm)
- maintenance-free slide bearings

### Technical data

Property	Value
Load capacity	300.0 kg
Width (door part)	34.0 mm
Length (door part)	260.0 mm
Width (frame part)	36.0 mm
Length (frame part)	280.0 mm
Cutter diameter	24.0 mm
Collar ring diameter	30.0 mm
Opening angle	180°

### Quality marks



CE certification



IFT certification



UKCA certification

### Classification code

4	7	7	1 <sup>-1</sup>	1	- <sup>-2</sup>	1	14
---	---	---	-----------------	---	-----------------	---	----

<sup>1</sup> Test evidence for functional doors to be achieved with full door sets and assemblies.

<sup>2</sup> depending on the finish

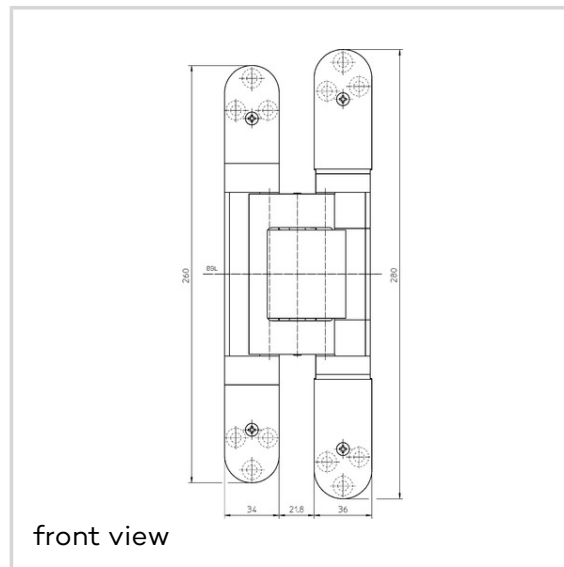
**TECTUS - TE 645 3D**

**Notes**

The load capacity mentioned above refers to two hinges per door leaf (1 x 2 m). Also the load capacities of the respective combined receiver have to be taken into consideration. For detailed information please look at the chapter "technical information".

Application on steel frames is subject to special frame facings.

With an opening position of 180° the door may have to be fixed additionally.



front view

**Installation tools**

Universal milling frame  
long

Template 5 250945 5

frame, step 1

Template 5 250946 5

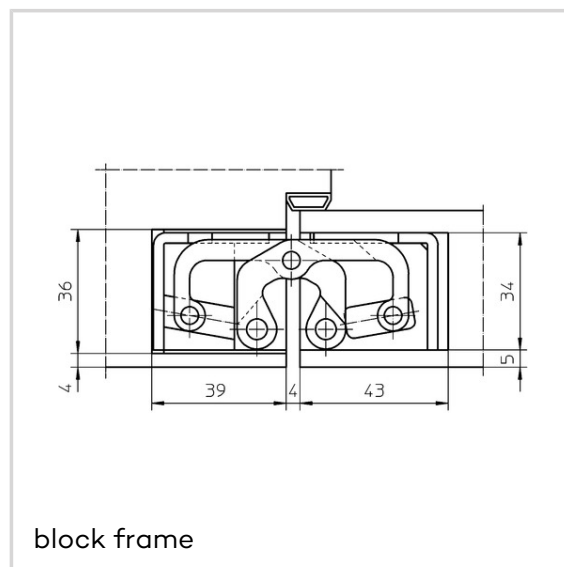
frame, step 2

Template 5 250947 5

door, step 1

Template 5 250948 5

door, step 2



block frame

**Combinations**

TE 645 3D SZ

TE 645 3D ST

**Function range**



Burglar  
resistance



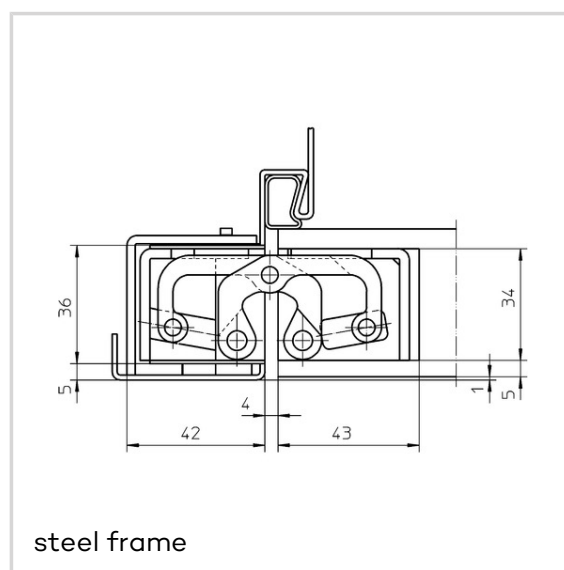
Fire resistance



Smoke  
resistance



Soundproof



steel frame

**Item versions**

Finish	satin brassed (SW)
--------	--------------------

**TECTUS - TE 645 3D**

VPE	047)
DIN	Pack of 2
Article number	DIN right and left hand
EAN	5 400634 0 04702
	4015471130831
Finish	RAL 9005 Matte Black (SW 107)
VPE	Pack of 2
DIN	DIN right and left hand
Article number	5 400634 0 10702
EAN	4015471130848
Finish	Satin Chrome Look (F1) (SW 124)
VPE	Pack of 2
DIN	DIN right and left hand
Article number	5 400634 0 12402
EAN	4015471110741
Finish	Satin Nickel Look (F2) (SW 125)
VPE	Pack of 2
DIN	DIN right and left hand
Article number	5 400634 0 12502
EAN	4015471119386
Finish	Stainless Steel Look (SSL) (SW 126)
VPE	Pack of 2
DIN	DIN right and left hand
Article number	5 400634 0 12602
EAN	4015471110758