

TE 640 3D A8

for unrebated heavy-duty doors with claddings up to 8 mm on both sides



Product features

- cladding up to 8 mm
- completely concealed hinge system
- for timber, steel or aluminium frames
- for unrebated heavy-duty doors
- sideways closed hinge body for a homogeneous mortise appearance
- with comfortable 3D adjustment (side +/- 3.0 mm, height +/- 3.0 mm, compression +/- 1.0 mm)
- maintenance-free slide bearings

Technical data

Property	Value
Load capacity	160.0 kg
Overall length	240.0 mm
Width (door part)	32.0 mm
Width (frame part)	32.0 mm
Cutter diameter	24.0 mm
Collar ring diameter	30.0 mm
Opening angle	180°

Quality marks



CE certification



IFT certification



UL certification



UKCA certification

Classification code

4 7 7 1¹ 1 -² 1 14

¹ Test evidence for functional doors to be achieved with full door sets and assemblies.

² depending on the finish

TECTUS - TE 640 3D A8**Notes**

The load capacity mentioned above refers to the use of 2 hinges per door leaf (1 x 2 m), for detailed information please look at the chapter "technical information".

With an opening position of 180° the door may have to be fixed additionally.

Installation tools

Universal milling frame

Template 5 250659 5 step 1

Template 5 250688 5 step 3 (without cladding)

Template 5 250689 5 step 2

Template 5 250690 5 step 3

Combinations

TE 640 3D FZ

TE 640 3D A8 BW/1

TE 640 3D A8 SZ

TE 640 3D ST

Cover plate set TECTUS A8 radius

Function range

Burglar
resistance



Fire resistance



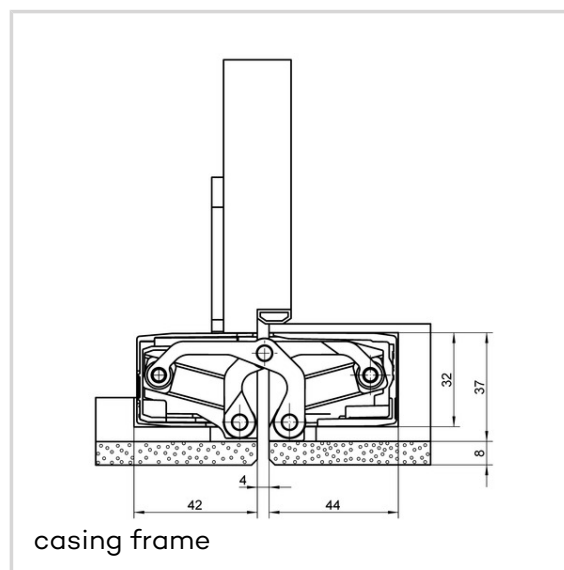
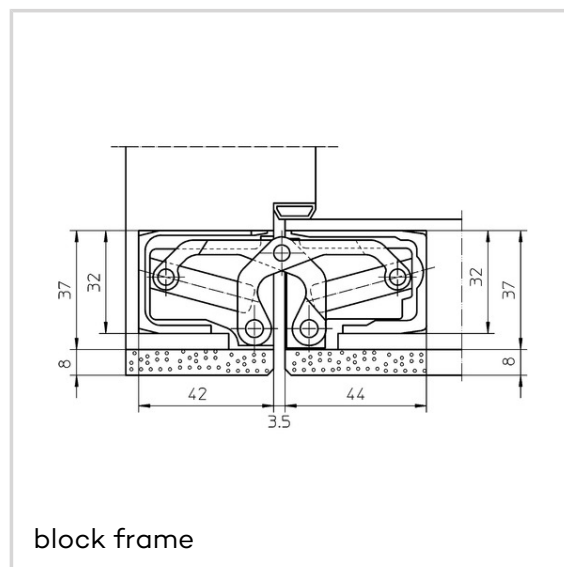
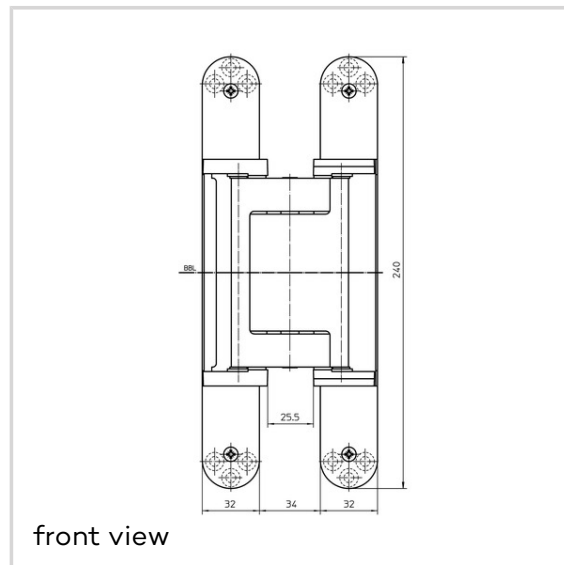
Smoke
resistance



Soundproof

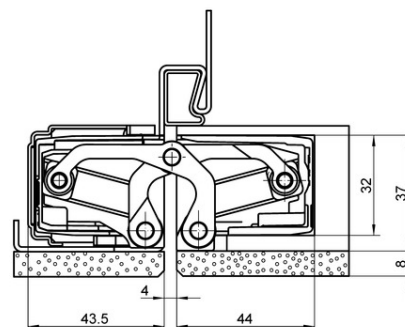
Item versions

Finish	polished brass (SW 030)
VPE	Pack of 2

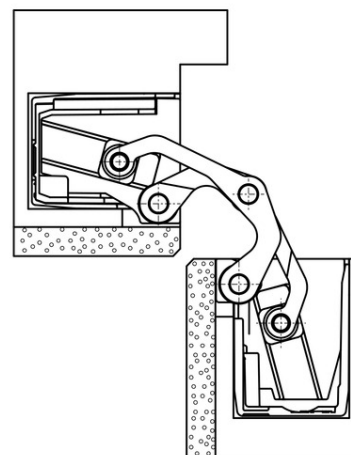


TECTUS - TE 640 3D A8

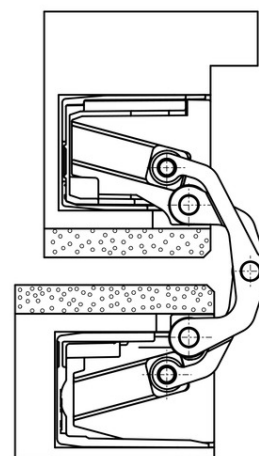
DIN	DIN right and left hand
Article number	5 400694 0 03002
EAN	4015471127305
Finish	polished nickelled (SW 038)
VPE	Pack of 2
DIN	DIN right and left hand
Article number	5 400694 0 03802
EAN	4015471127343
Finish	satin brassed (SW 047)
VPE	Pack of 2
DIN	DIN right and left hand
Article number	5 400694 0 04702
EAN	4015471130817
Finish	RAL 9016 Traffic White (SW 070)
VPE	Pack of 2
DIN	DIN right and left hand
Article number	5 400694 0 07002
EAN	4015471127473
Finish	RAL 9005 Matte Black (SW 107)
VPE	Pack of 2
DIN	DIN right and left hand
Article number	5 400694 0 10702
EAN	4015471128043
Finish	Satin Chrome Look (F1) (SW 124)
VPE	Pack of 2
DIN	DIN right and left hand
Article number	5 400694 0 12402
EAN	4015471128050
Finish	Satin Nickel Look (F2) (SW 125)
VPE	Pack of 2
DIN	DIN right and left hand
Article number	5 400694 0 12502
EAN	4015471128067



steel frame



block frame 90°



block frame 180°

TECTUS - TE 640 3D A8

Finish	Stainless Steel Look (SSL) (SW 126)
VPE	Pack of 2
DIN	DIN right and left hand
Article number	5 400694 0 12602
EAN	4015471128074
Finish	Satin Nickel (SW 144)
VPE	Pack of 2
DIN	DIN right and left hand
Article number	5 400694 0 14402
EAN	4015471128081
Finish	Satin Chrome (SW 146)
VPE	Pack of 2
DIN	DIN right and left hand
Article number	5 400694 0 14602
EAN	4015471128098
Finish	Rustic Umber (SW 156)
VPE	Pack of 2
DIN	DIN right and left hand
Article number	5 400694 0 15602
EAN	4015471128135
Finish	Bronze Metallic (SW 168)
VPE	Pack of 2
DIN	DIN right and left hand
Article number	5 400694 0 16802
EAN	4015471128142
Finish	Bronze Finish (SW 174)
VPE	Pack of 2
DIN	DIN right and left hand
Article number	5 400694 0 17402
EAN	4015471128173
Finish	Bronze Finish light (SW 175)
VPE	Pack of 2
DIN	DIN right and left hand
Article number	5 400694 0 17502
EAN	4015471128180

TECTUS - TE 640 3D A8

Finish	Bronze Finish dark (SW 176)
VPE	Pack of 2
DIN	DIN right and left hand
Article number	5 400694 0 17602
EAN	4015471128203