

TE 640 3D A8 FR

with integrated intumescent kit for unrebated high performance heavy-duty doors with claddings up to 8 mm on both sides




Product features

- with integrated intumescent kit
- cladding up to 8 mm
- completely concealed hinge system
- for timber, steel or aluminium frames
- for unrebated high performance heavy-duty doors
- sideways closed hinge body for a homogeneous mortise appearance
- with comfortable 3D adjustment (side +/- 3.0 mm, height +/- 3.0 mm, compression +/- 1.0 mm)
- maintenance-free slide bearings

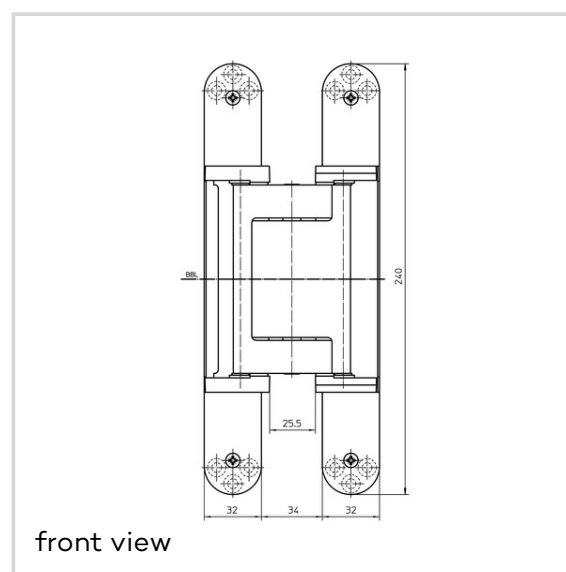
Technical data

Property	Value
Load capacity	160.0 kg
Overall length	240.0 mm
Width (door part)	32.0 mm
Width (frame part)	32.0 mm
Cutter diameter	24.0 mm
Collar ring diameter	30.0 mm
Opening angle	180°

Quality marks

 Warringtonfire certification

 Certifire certification



TECTUS - TE 640 3D A8 FR**Notes**

The load capacity mentioned above refers to the use of 2 hinges per door leaf (1 x 2 m), for detailed information please look at the chapter "technical information".

With an opening position of 180° the door may have to be fixed additionally.

Installation tools

Universal milling frame

Template 5 250659 5 step 1

Template 5 250688 5 step 3 (without cladding)

Template 5 250689 5 step 2

Template 5 250690 5 step 3

Combinations

TE 640 3D FZ

TE 640 3D A8 BW/1

TE 640 3D A8 SZ

TE 640 3D ST

Cover plate set TECTUS A8 radius

Function range

Burglar
resistance



Fire resistance



Smoke
resistance



Soundproof

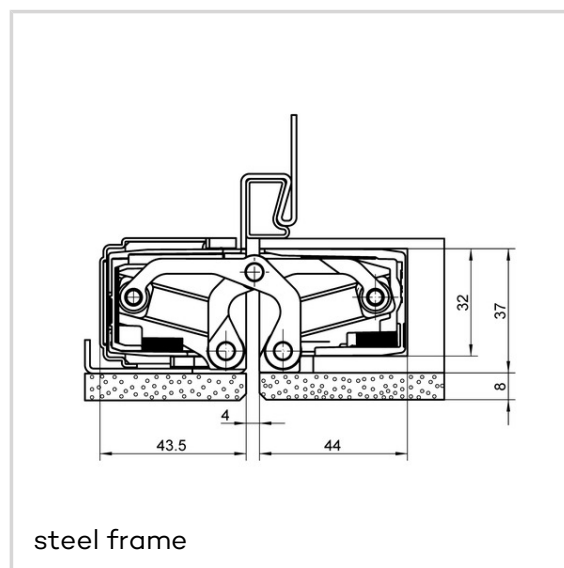
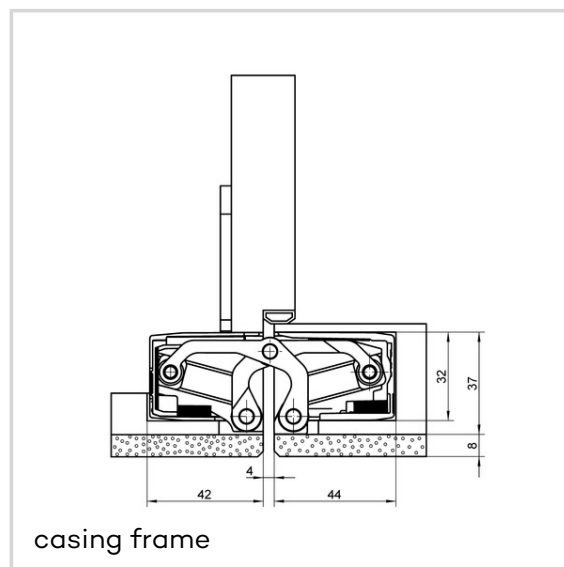
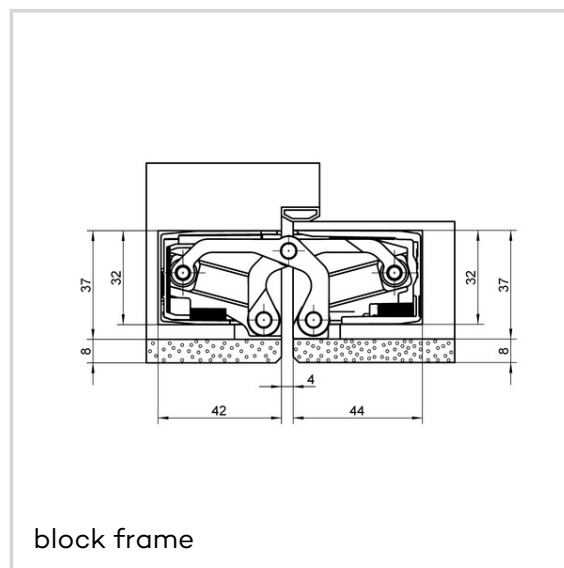
Item versions

Finish

Satin Chrome Look
(F1) (SW 124)

VPE

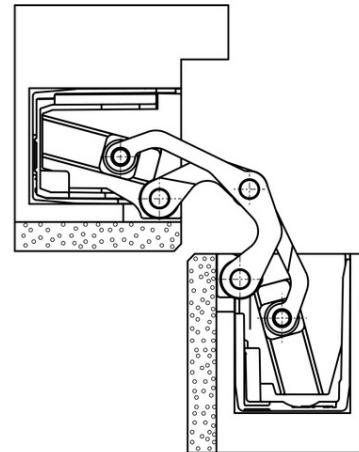
Pack of 2



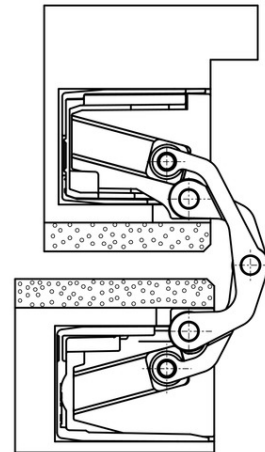
TECTUS - TE 640 3D A8 FR

DIN	DIN right and left hand
Article number	5 400704 0 12402
EAN	4015471128623

Finish	Stainless Steel Look (SSL) (SW 126)
VPE	Pack of 2
DIN	DIN right and left hand
Article number	5 400704 0 12602
EAN	4015471128647



block frame 90°



block frame 180°