

## TE 626 3D A8

for unrebated high performance heavy-duty doors with claddings up to 8 mm on both sides



### Product features

- material stainless steel
- cladding up to 8 mm
- completely concealed hinge system
- for timber, steel or aluminium frames
- for unrebated heavy-duty doors
- sideways closed hinge body for a homogeneous mortise appearance
- with comfortable 3D adjustment (side +/- 3.0 mm, height +/- 3.0 mm, compression +/- 1.0 mm)
- maintenance-free slide bearings

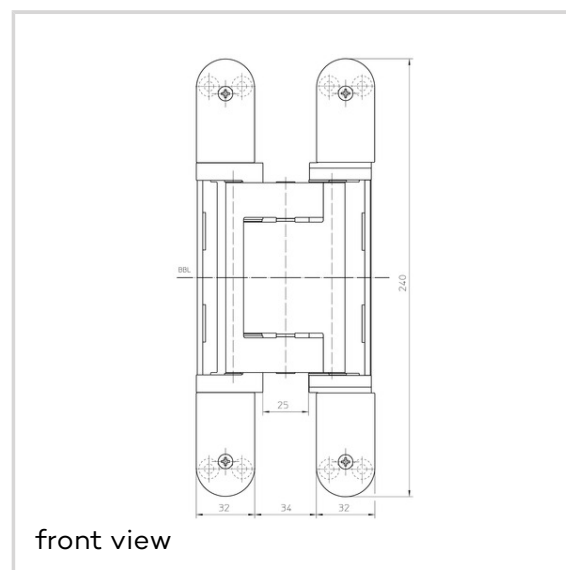
### Technical data

Property	Value
Load capacity	300.0 kg
Overall length	240.0 mm
Width (door part)	32.0 mm
Width (frame part)	32.0 mm
Cutter diameter	24.0 mm
Collar ring diameter	30.0 mm
Opening angle	180°

### Quality marks



UL certification



**TECTUS - TE 626 3D A8**

**Notes**

The load capacity mentioned above refers to two hinges per door leaf (1 x 2 m). Also the load capacities of the respective combined receiver have to be taken into consideration. For detailed information please look at the chapter "technical information".

With an opening position of 180° the door may have to be fixed additionally.

**Installation tools**

Universal milling frame

Template 5 250659 5

step 1

Template 5 250688 5

step 3 (without cladding)

Template 5 250689 5

step 2

Template 5 250690 5

step 3

**Combinations**

TE 640 3D FZ

TE 626 3D A8 BW/1

TE 640 3D A8 SZ

TE 640 3D ST

Cover plate set TECTUS A8 radius

Intumescent Kit - Ref. 8822

**Function range**



Burglar resistance



Fire resistance



Smoke resistance

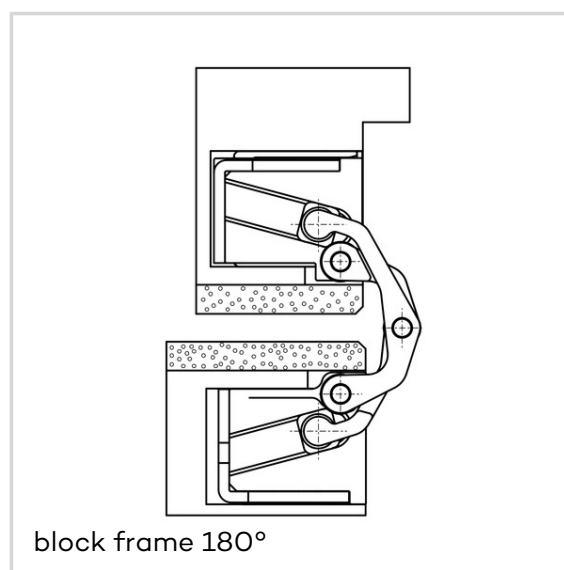
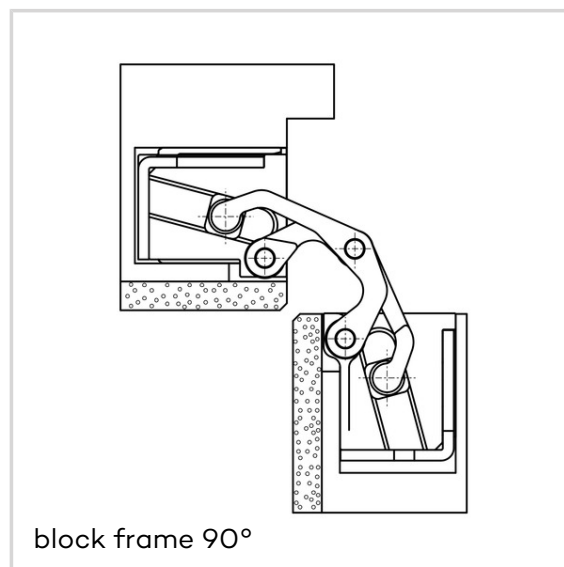
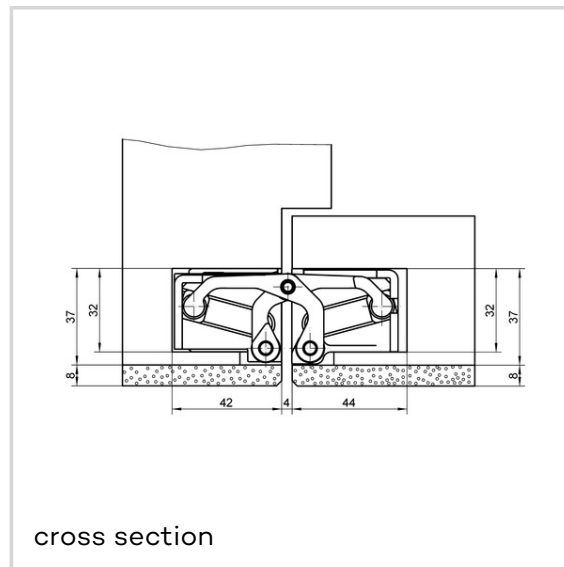


Soundproof

**Item versions**

Finish

Satin Stainless Steel



**TECTUS - TE 626 3D A8**

---

VPE	(SW 040)
DIN	Pack of 2
Article number	DIN right and left hand
EAN	5 400675 0 04002
	4015471123550