

## TE 541 3D FVZ

for unrebated residential and heavy-duty doors with recessed frames



### Product features

- FVZ = for recessed frames
- recessed frames up to 14 mm
- completely concealed hinge system
- for timber, steel or aluminium frames
- for unrebated heavy-duty doors
- sideways closed hinge body for a homogeneous mortise appearance
- with comfortable 3D adjustment (side +/- 3.0 mm, height +/- 3.0 mm, compression +/- 1.0 mm)
- maintenance-free slide bearings

### Technical data

Property	Value
Load capacity	100.0 kg
Overall length	185.0 mm
Width (door part)	28.0 mm
Width (frame part)	28.0 mm
Cutter diameter	24.0 mm
Collar ring diameter	30.0 mm
Opening angle	180°

### Quality marks



CE certification



IFT certification



warringtonfire

Warringtonfire certification



Certifire certification



UKCA certification

### Classification code

4	7	5	1 <sup>1</sup>	1	- <sup>2</sup>	0	12
---	---	---	----------------	---	----------------	---	----

<sup>1</sup> Test evidence for functional doors to be achieved with full door sets and assemblies.

<sup>2</sup> depending on the finish

**TECTUS - TE 541 3D FVZ**

**Notes**

The load capacity mentioned above refers to the use of 2 hinges per door leaf (1 x 2 m), for detailed information please look at the chapter "technical information".

With an opening position of 180° the door may have to be fixed additionally.

**Installation tools**

- Universal milling frame
- Template 5 250682 5 frame, step 3
- Template 5 250942 5 frame / door, step 1
- Template 5 250943 5 frame / door, step 2
- Template 5 250944 5 door, step 3
- Template 5 251169 5 frame, step 3, without cladding

**Combinations**

- TE 541 3D FVZ FZ
- TE 541 3D FVZ SZ
- TE 541 3D FVZ ST
- Intumescent Kit - Ref. 8821

**Function range**



Fire resistance



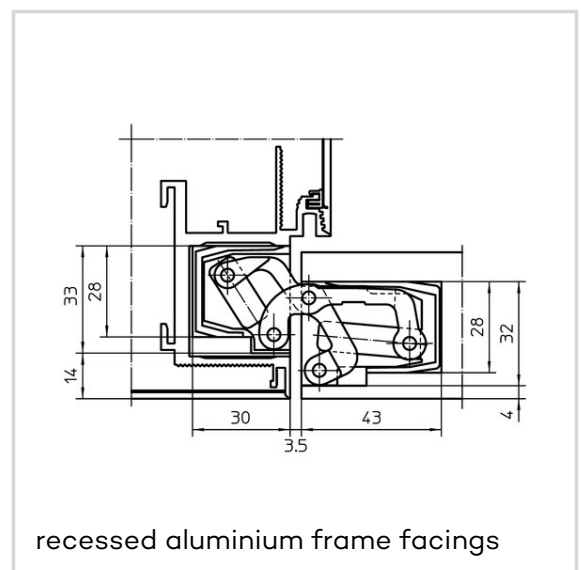
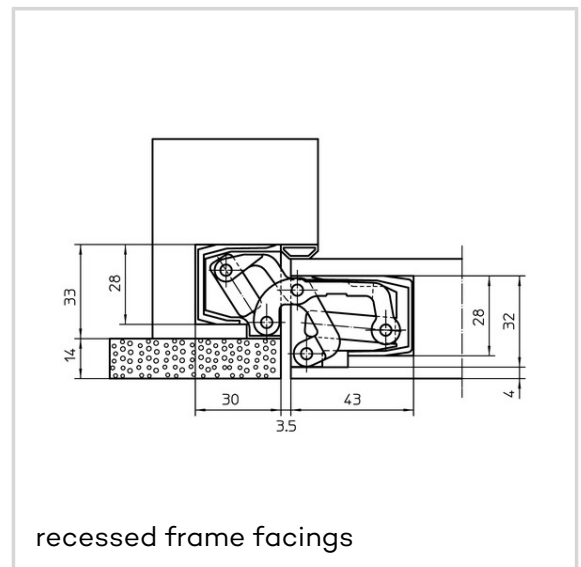
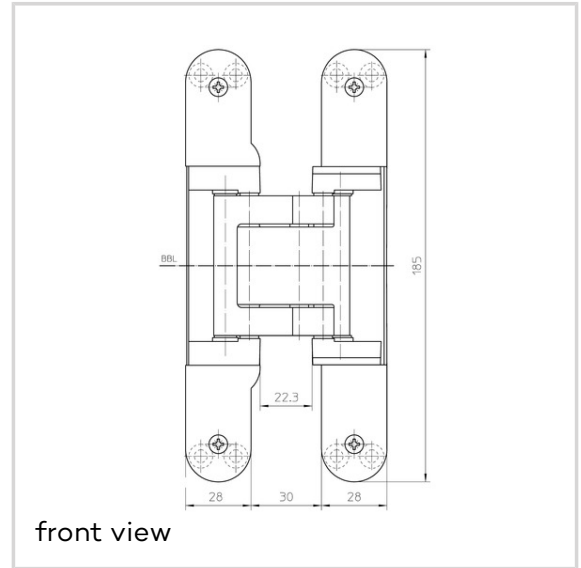
Smoke resistance



Soundproof

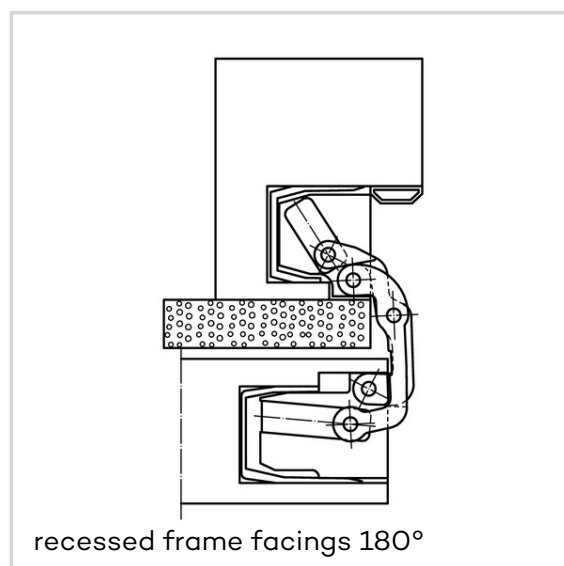
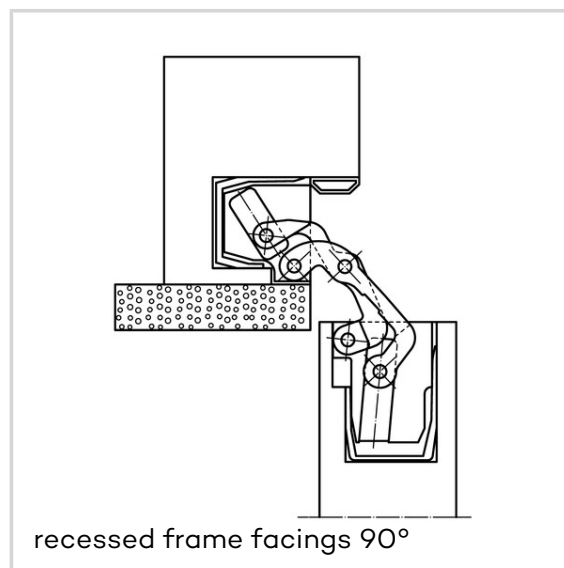
**Item versions**

Finish	polished brass (SW 030)
VPE	Pack of 2
DIN	DIN right and left hand



## TECTUS - TE 541 3D FVZ

Article number	5 400631 0 03002
EAN	4015471122782
Finish	polished nickelled (SW 038)
VPE	Pack of 2
DIN	DIN right and left hand
Article number	5 400631 0 03802
EAN	4015471120047
Finish	satin brassed (SW 047)
VPE	Pack of 2
DIN	DIN right and left hand
Article number	5 400631 0 04702
EAN	4015471133658
Finish	RAL 9016 Traffic White (SW 070)
VPE	Pack of 2
DIN	DIN right and left hand
Article number	5 400631 0 07002
EAN	4015471122799
Finish	RAL 9005 Matte Black (SW 107)
VPE	Pack of 2
DIN	DIN right and left hand
Article number	5 400631 0 10702
EAN	4015471122805
Finish	Satin Chrome Look (F1) (SW 124)
VPE	Pack of 2
DIN	DIN right and left hand
Article number	5 400631 0 12402
EAN	4015471110130
Finish	Satin Nickel Look (F2) (SW 125)
VPE	Pack of 2
DIN	DIN right and left hand
Article number	5 400631 0 12502
EAN	4015471119263
Finish	Stainless Steel Look



## TECTUS - TE 541 3D FVZ

VPE	(SSL) (SW 126)
DIN	Pack of 2
Article number	DIN right and left hand
EAN	5 400631 0 12602
	4015471110147

Finish	Satin Nickel (SW 144)
VPE	Pack of 2
DIN	DIN right and left hand
Article number	5 400631 0 14402
EAN	4015471122812

Finish	Satin Chrome (SW 146)
VPE	Pack of 2
DIN	DIN right and left hand
Article number	5 400631 0 14602
EAN	4015471122829

Finish	Rustic Umber (SW 156)
VPE	Pack of 2
DIN	DIN right and left hand
Article number	5 400631 0 15602
EAN	4015471119423

Finish	Bronze Metallic (SW 168)
VPE	Pack of 2
DIN	DIN right and left hand
Article number	5 400631 0 16802
EAN	4015471122379

Finish	Bronze Finish (SW 174)
VPE	Pack of 2
DIN	DIN right and left hand
Article number	5 400631 0 17402
EAN	4015471134044

Finish	Bronze Finish light (SW 175)
VPE	Pack of 2
DIN	DIN right and left hand
Article number	5 400631 0 17502
EAN	4015471138158

**TECTUS - TE 541 3D FVZ**

---

Finish	Bronze Finish dark (SW 176)
VPE	Pack of 2
DIN	DIN right and left hand
Article number	5 400631 0 17602
EAN	4015471131838