

## TE 540 3D A8 FR

with integrated intumescent kit for unrebated heavy-duty doors with claddings up to 8 mm on both sides



### Product features

- with integrated intumescent kit
- cladding up to 8 mm
- completely concealed hinge system
- for timber, steel or aluminium frames
- for unrebated heavy-duty doors
- sideways closed hinge body for a homogeneous mortise appearance
- with comfortable 3D adjustment (side +/- 3.0 mm, height +/- 3.0 mm, compression +/- 1.0 mm)
- maintenance-free slide bearings

### Technical data

Property	Value
Load capacity	100.0 kg
Overall length	200.0 mm
Width (door part)	32.0 mm
Width (frame part)	32.0 mm
Cutter diameter	24.0 mm
Collar ring diameter	30.0 mm
Opening angle	180°

### Quality marks



CE certification



IFT certification

ZERTIFIZIERT

warringtonfire

Warringtonfire certification

certifire

Certifire certification



UKCA certification

### Classification code

4	7	5	1 <sup>1</sup>	1	— <sup>2</sup>	1	12
---	---	---	----------------	---	----------------	---	----

<sup>1</sup> Test evidence for functional doors to be achieved with full door sets and assemblies.

<sup>2</sup> depending on the finish

**TECTUS - TE 540 3D A8 FR**

**Notes**

The load capacity mentioned above refers to the use of 2 hinges per door leaf (1 x 2 m), for detailed information please look at the chapter "technical information".

With an opening position of 180° the door may have to be fixed additionally.

**Installation tools**

- Universal milling frame
- Template 5 250680 5 step 1
- Template 5 250681 5 step 2
- Template 5 250682 5 step 3
- Template 5 250687 5 step 3 (without cladding)

**Combinations**

- TE 540 3D FZ
- TE 540 3D A8 SZ
- TE 540 3D ST
- Cover plate set TECTUS A8 radius

**Function range**



Burglar resistance



Fire resistance



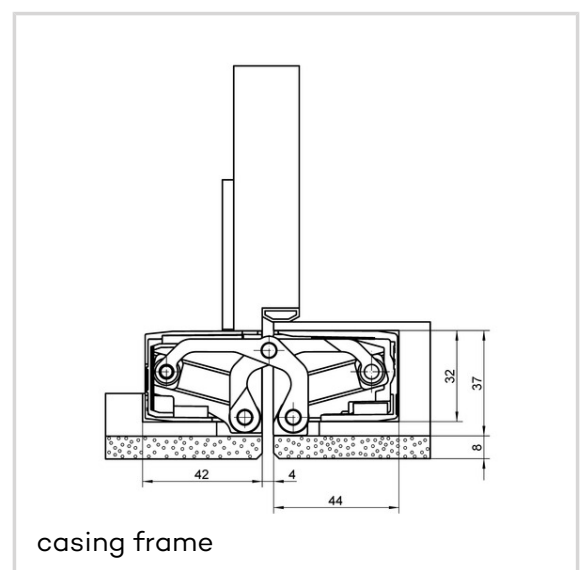
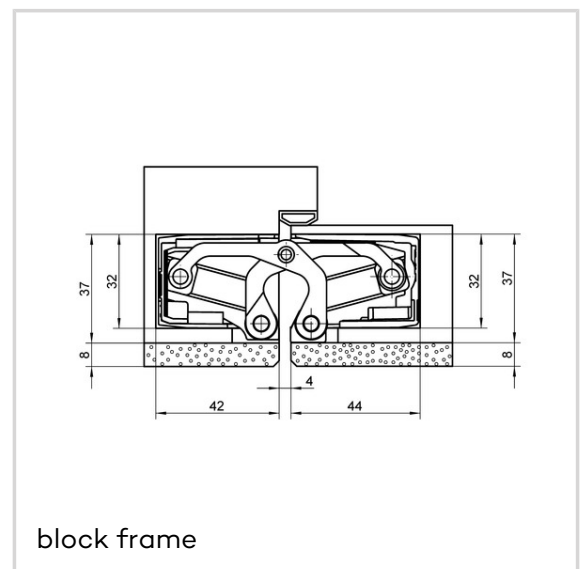
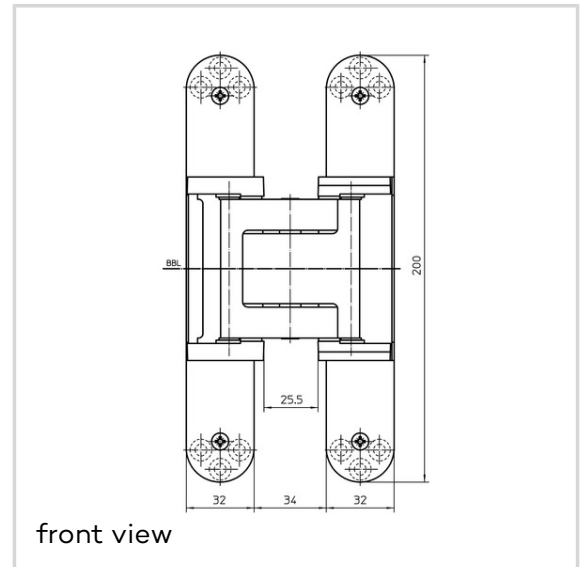
Smoke resistance



Soundproof

**Item versions**

Finish	RAL 9005 Matte Black (SW 107)
VPE	Pack of 2

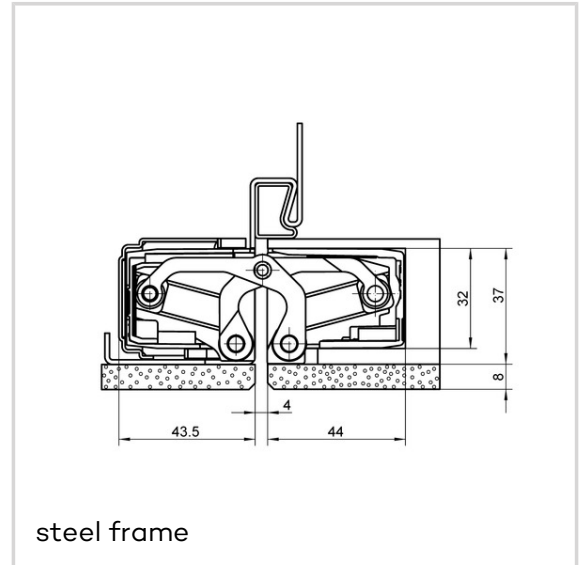


**TECTUS - TE 540 3D A8 FR**

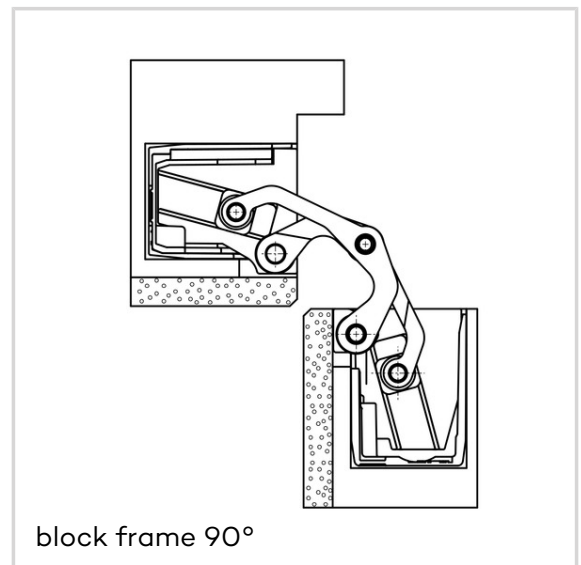
DIN	DIN right and left hand
Article number	5 400702 0 10702
EAN	4015471139056

Finish	Satin Chrome Look (F1) (SW 124)
VPE	Pack of 2
DIN	DIN right and left hand
Article number	5 400702 0 12402
EAN	4015471128661

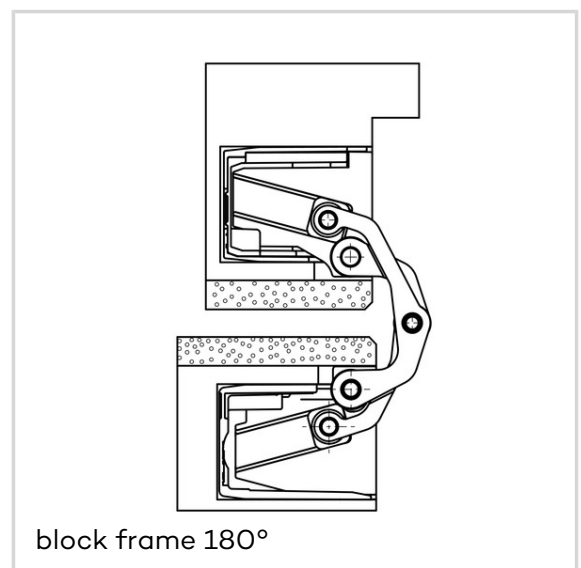
Finish	Stainless Steel Look (SSL) (SW 126)
VPE	Pack of 2
DIN	DIN right and left hand
Article number	5 400702 0 12602
EAN	4015471128685



steel frame



block frame 90°



block frame 180°