

## TE 380 3D

for rebated residential doors



### Product features

- completely concealed hinge system
- for timber, steel or aluminium frames
- for rebated residential doors
- sideways closed hinge body for a homogeneous mortise appearance
- with comfortable 3D adjustment (side +/- 3.0 mm, height +/- 3.0 mm, compression +/- 1.0 mm)
- maintenance-free slide bearings

### Technical data

Property	Value
Load capacity	60.0 kg
Width (door part)	20.0 mm
Length (door part)	160.0 mm
Width (frame part)	26.0 mm
Length (frame part)	190.0 mm
Cutter diameter	20.0 mm
Collar ring diameter	30.0 mm
Opening angle	180°

### Quality marks



CE certification



IFT certification



UKCA certification

### Classification code

2	7	3	1 <sup>-1</sup>	1	- <sup>-2</sup>	0	10
---	---	---	-----------------	---	-----------------	---	----

<sup>1</sup> Test evidence for functional doors to be achieved with full door sets and assemblies.

<sup>2</sup> depending on the finish

**TECTUS - TE 380 3D**

**Notes**

The load capacity mentioned above refers to the use of 2 hinges per door leaf (1 x 2 m), for detailed information please look at the chapter "technical information".

With an opening position of 180° the door may have to be fixed additionally.

**Installation tools**

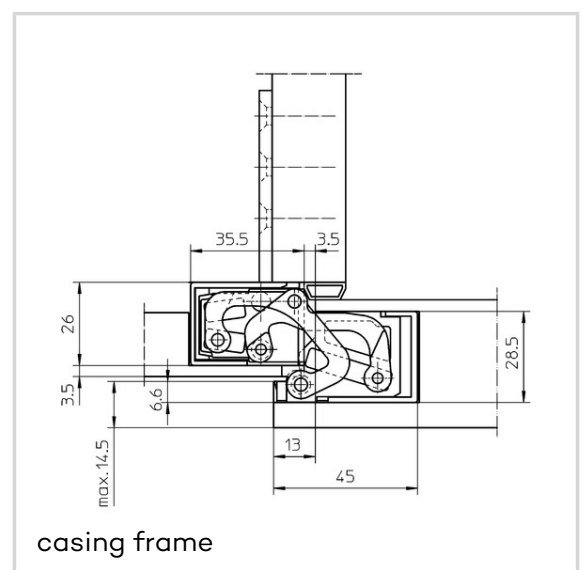
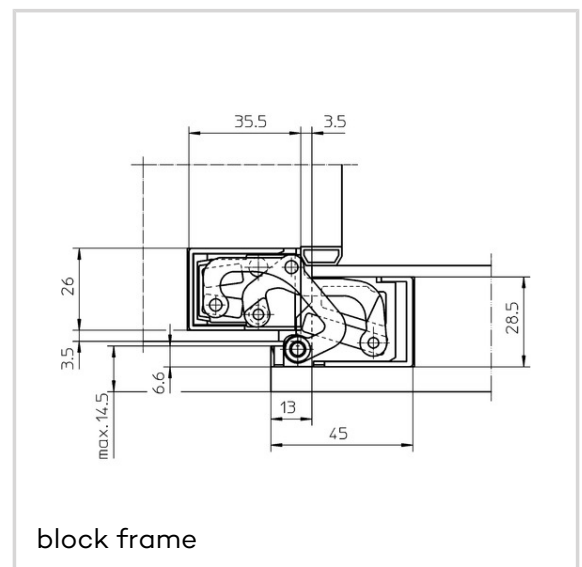
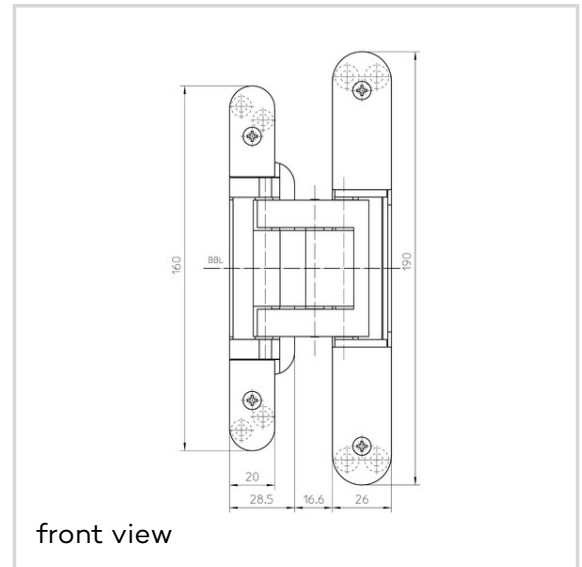
- Universal milling frame
- Template 5 250955 5                      frame, step 1
- Template 5 250956 5                      frame, step 2
- Template 5 250957 5                      frame, step 3
- Template 5 250958 5                      door, step 1
- Template 5 250959 5                      door, step 2

**Combinations**

- TE 380 3D FZ
- TE 380 3D SZ

**Item versions**

Finish	RAL 9016 Matte Traffic White (SW 057)
VPE	Pack of 2
DIN	DIN right and left hand
Article number	5 400640 0 05702
EAN	4015471119324
Finish	RAL 9005 Matte Black (SW 107)
VPE	Pack of 2
DIN	DIN right and left hand
Article number	5 400640 0 10702
EAN	4015471142810
Finish	Satin Chrome Look

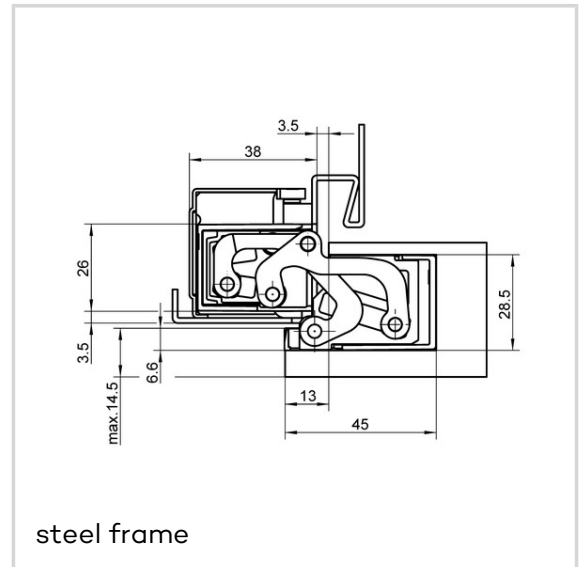


**TECTUS - TE 380 3D**

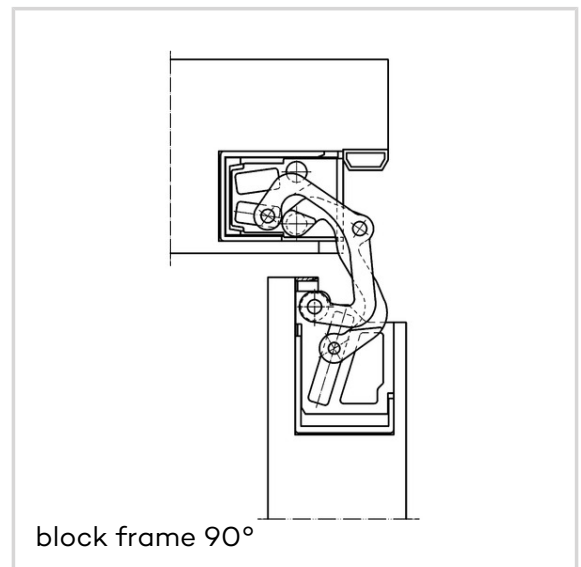
VPE	(F1) (SW 124)
DIN	Pack of 2
Article number	DIN right and left hand
EAN	5 400640 0 12402 4015471117061

Finish	Satin Nickel Look (F2) (SW 125)
VPE	Pack of 2
DIN	DIN right and left hand
Article number	5 400640 0 12502
EAN	4015471117085

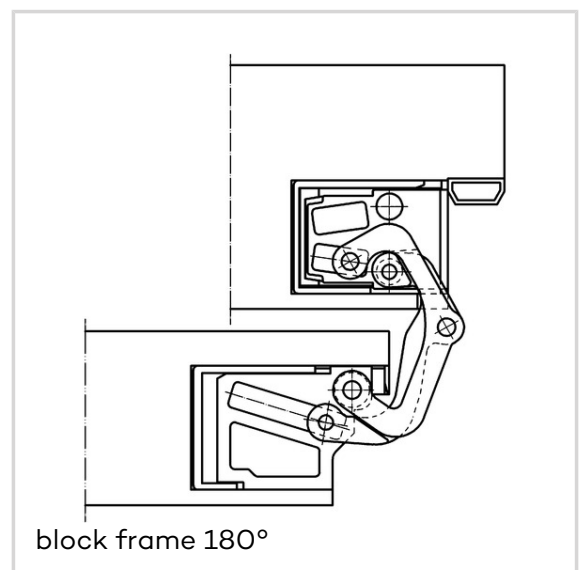
Finish	Stainless Steel Look (SSL) (SW 126)
VPE	Pack of 2
DIN	DIN right and left hand
Article number	5 400640 0 12602
EAN	4015471117092



steel frame



block frame 90°



block frame 180°