

TE 340 3D FR

with integrated intumescent kit for unrebated residential and heavy duty doors



Product features

- with integrated intumescent kit
- completely concealed hinge system
- for timber, steel or aluminium frames
- for unrebated residential and heavy-duty doors
- sideways closed hinge body for a homogeneous mortise appearance
- with comfortable 3D adjustment (side +/- 3.0 mm, height +/- 3.0 mm, compression +/- 1.0 mm)
- maintenance-free slide bearings

Technical data

Property	Value
Load capacity	80.0 kg
Overall length	160.0 mm
Width (door part)	28.0 mm
Width (frame part)	28.0 mm
Cutter diameter	24.0 mm
Collar ring diameter	30.0 mm
Opening angle	180°

Quality marks



CE certification



IFT certification



warringtonfire

Warringtonfire certification



Certifire certification



UKCA certification

Classification code

3	7	4	1 ¹	1	— ²	0	11
---	---	---	----------------	---	----------------	---	----

¹ Test evidence for functional doors to be achieved with full door sets and assemblies.

² depending on the finish

TECTUS - TE 340 3D FR

Notes

The load capacity mentioned above refers to the use of 2 hinges per door leaf (1 x 2 m), for detailed information please look at the chapter "technical information".

With an opening position of 180° the door may have to be fixed additionally.

Installation tools

Universal milling frame

Template 5 250693 5

step 1

Template 5 250694 5

step 2

Combinations

TE 340 3D FZ

TE 340 3D SZ

TE 340 3D ST

Function range



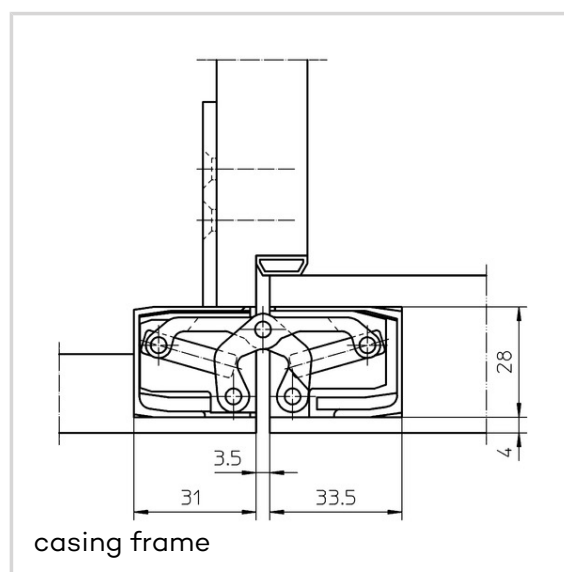
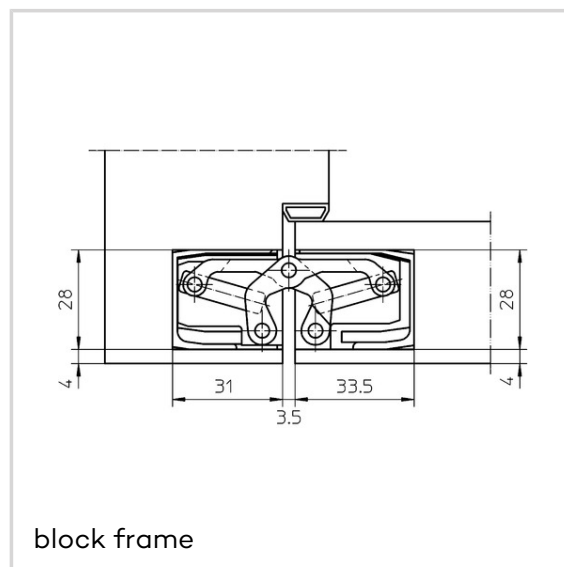
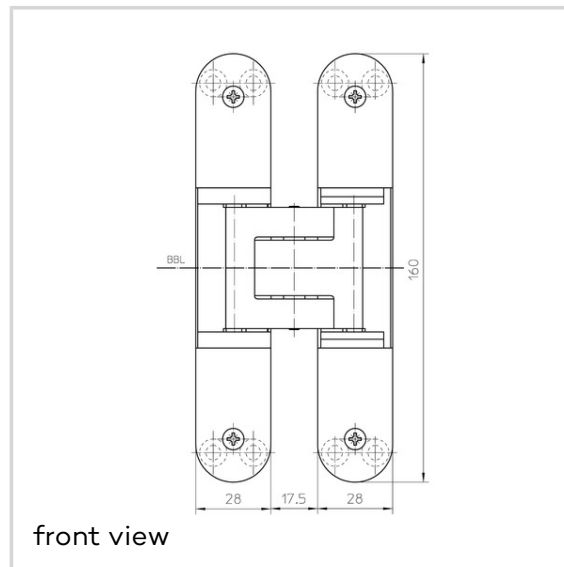
Fire resistance



Smoke resistance

Item versions

Finish	RAL 9005 Matte Black (SW 107)
VPE	Pack of 2
DIN	DIN right and left hand
Article number	5 400621 0 10702
EAN	4015471135935
Finish	Satin Chrome Look (F1) (SW 124)



TECTUS - TE 340 3D FR

VPE	Pack of 2
DIN	DIN right and left hand
Article number	5 400621 0 12402
EAN	4015471109691

Finish	Stainless Steel Look (SSL) (SW 126)
VPE	Pack of 2
DIN	DIN right and left hand
Article number	5 400621 0 12602
EAN	4015471109707

