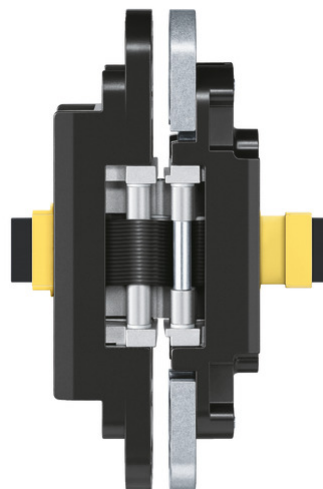


## TE 340 3D Energy

with permanent energy transfer for unrebated residential doors



### Product features

- with permanent energy transfer
- individual connection adapter options
- completely concealed hinge system
- for timber, steel or aluminium frames
- for unrebated residential and heavy-duty doors
- with comfortable 3D adjustment (side +/- 3.0 mm, height +/- 3.0 mm, compression +/- 1.0 mm)
- maintenance-free slide bearings

### Technical data

Property	Value
Load capacity	80.0 kg
Overall length	160.0 mm
Width (door part)	28.0 mm
Width (frame part)	28.0 mm
Cutter diameter	24.0 mm
Collar ring diameter	30.0 mm
Opening angle	180°
Wire cross section	0.14 mm <sup>2</sup>
Max. voltage	50 V

### Quality marks



CE certification



IFT certification



UL certification



Certifire certification

### Classification code

3	7	4	1 <sup>1</sup>	1	- <sup>2</sup>	0	11
---	---	---	----------------	---	----------------	---	----

<sup>1</sup> Test evidence for functional doors to be achieved with full door sets and assemblies.

<sup>2</sup> depending on the finish

**TECTUS - TE 340 3D Energy**

No of wires	16
Max. current	0.8 A

**Notes**

The load capacity mentioned above refers to the use of 2 hinges per door leaf (1 x 2 m), for detailed information please look at the chapter "technical information".

When ordering the accessories please consider: There are two connection adapters TECTUS Energy needed per hinge. A connection plan can be downloaded.

With an opening position of 180° the door may have to be fixed additionally.

**Installation tools**

Universal milling frame

Template 5 250693 5

step 1

Template 5 250694 5

step 2

Template 5 250939 5

additional routing Energy

**Combinations**

TE 340 3D FZ

TE 340 3D SZ

TE 340 3D ST

Adapter 1 TECTUS Energy

Universal adapter TECTUS Energy

Round cable 3m TECTUS Energy

Round cable 10m TECTUS Energy

Adapter set 20 TECTUS Energy

Adapter set 21 TECTUS Energy

Intumescent Kit - Ref. 8825

**Function range**

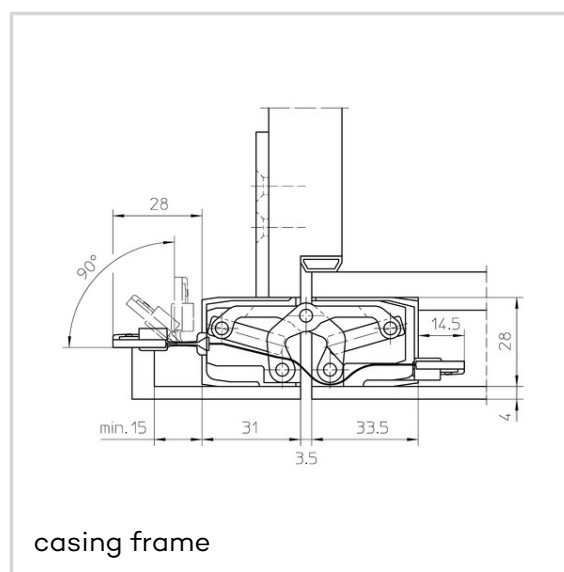
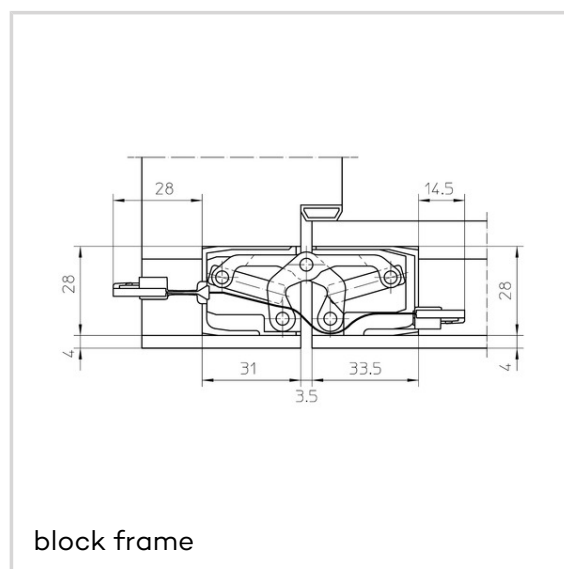
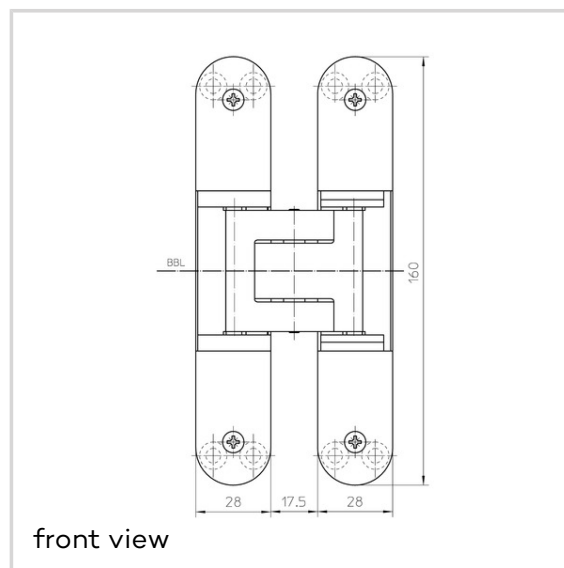
Burglar



Fire resistance



Smoke



**TECTUS - TE 340 3D Energy**

resistance

resistance

**Item versions**

Finish	RAL 9005 Matte Black (SW 107)
VPE	Pack of 1
DIN	DIN right and left hand
Article number	5 400659 0 10701
EAN	4015471139407
Finish	Satin Chrome Look (F1) (SW 124)
VPE	Pack of 1
DIN	DIN right and left hand
Article number	5 400659 0 12401
EAN	4015471116231
Finish	Satin Nickel Look (F2) (SW 125)
VPE	Pack of 1
DIN	DIN right and left hand
Article number	5 400659 0 12501
EAN	4015471119591
Finish	Stainless Steel Look (SSL) (SW 126)
VPE	Pack of 1
DIN	DIN right and left hand
Article number	5 400659 0 12601
EAN	4015471116248

