

TE 240 3D

for unrebated and rebated flush residential doors



Product features

- completely concealed hinge system
- for timber, steel or aluminium frames
- for unrebated and rebated flush residential doors
- sideways closed hinge body for a homogeneous mortise appearance
- 3D adjustment (side +/- 3.0 mm, height +/- 3.0 mm, compression +/- 1.0 mm)
- maintenance-free slide bearings

Technical data

| Property | Value |
|----------------------|----------|
| Load capacity | 60.0 kg |
| Overall length | 155.0 mm |
| Width (door part) | 18.0 mm |
| Width (frame part) | 21.0 mm |
| Cutter diameter | 16.0 mm |
| Collar ring diameter | 30.0 mm |
| Opening angle | 180° |

Notes

Quality marks



CE certification



IFT certification



UKCA certification

Classification code

| | | | | | | | |
|---|---|---|-----------------|---|-----------------|---|----|
| 3 | 7 | 3 | 1 ⁻¹ | 1 | - ⁻² | 0 | 10 |
|---|---|---|-----------------|---|-----------------|---|----|

¹ Test evidence for functional doors to be achieved with full door sets and assemblies.

² depending on the finish

TECTUS - TE 240 3D

The load capacity mentioned above refers to the use of 2 hinges per door leaf (1 x 2 m), for detailed information please look at the chapter "technical information".

With an opening position of 180° the door may have to be fixed additionally.

Installation tools

Universal milling frame
 Template 5 250691 6
 Template 5 250692 6

frame
 door leaf

Combinations

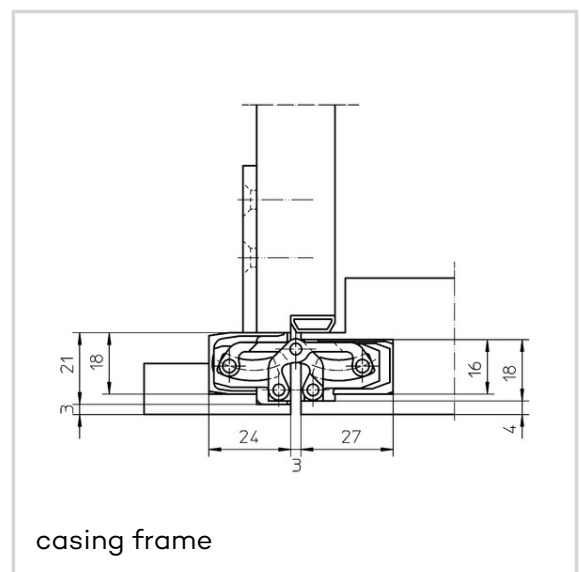
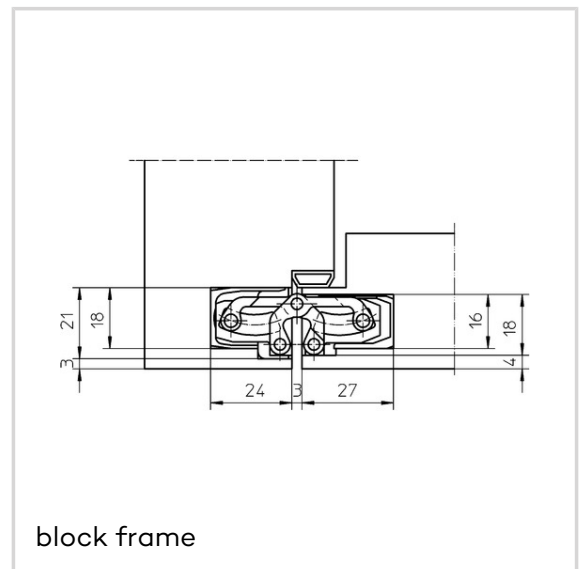
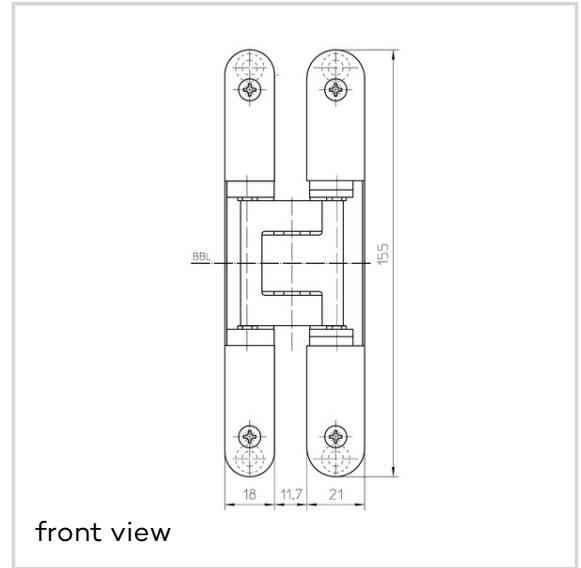
TE 240 3D FZ
 TE 240 3D SZ
 TE 240 3D ST

Item versions

| | |
|----------------|---------------------------|
| Finish | polished brassed (SW 030) |
| VPE | Pack of 2 |
| DIN | DIN right and left hand |
| Article number | 5 400679 0 03002 |
| EAN | 4015471122980 |

| | |
|----------------|-----------------------------|
| Finish | polished nickelled (SW 038) |
| VPE | Pack of 2 |
| DIN | DIN right and left hand |
| Article number | 5 400679 0 03802 |
| EAN | 4015471122997 |

| | |
|----------------|-------------------------|
| Finish | satin brassed (SW 047) |
| VPE | Pack of 2 |
| DIN | DIN right and left hand |
| Article number | 5 400679 0 04702 |
| EAN | 4015471127268 |



TECTUS - TE 240 3D

| | |
|----------------|---------------------------------|
| Finish | RAL 9016 Traffic White (SW 070) |
| VPE | Pack of 2 |
| DIN | DIN right and left hand |
| Article number | 5 400679 0 07002 |
| EAN | 4015471123734 |

| | |
|----------------|-------------------------------|
| Finish | RAL 9005 Matte Black (SW 107) |
| VPE | Pack of 2 |
| DIN | DIN right and left hand |
| Article number | 5 400679 0 10702 |
| EAN | 4015471123741 |

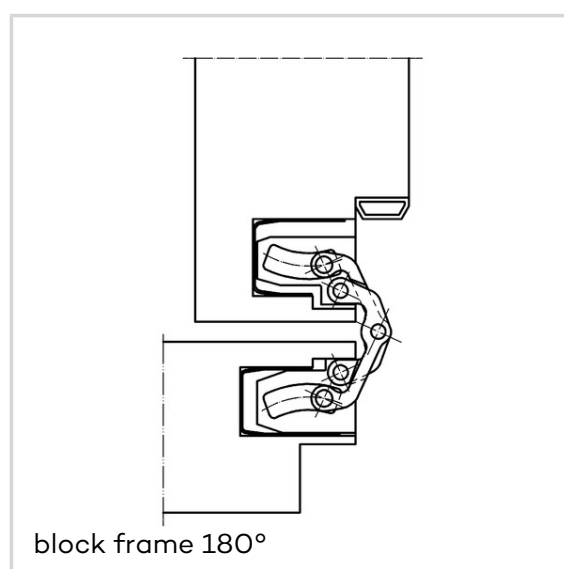
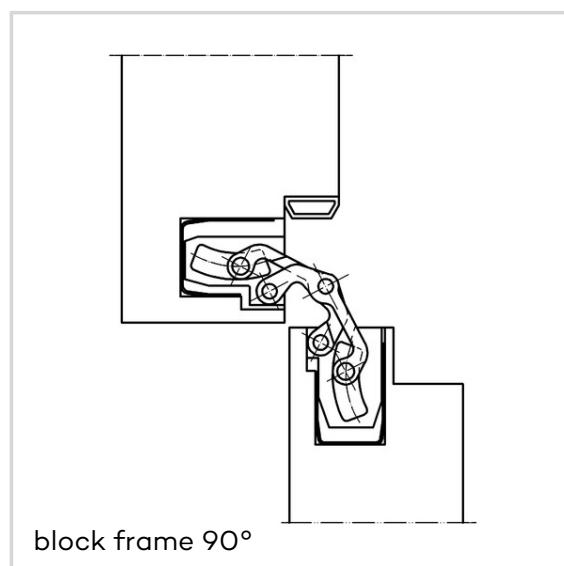
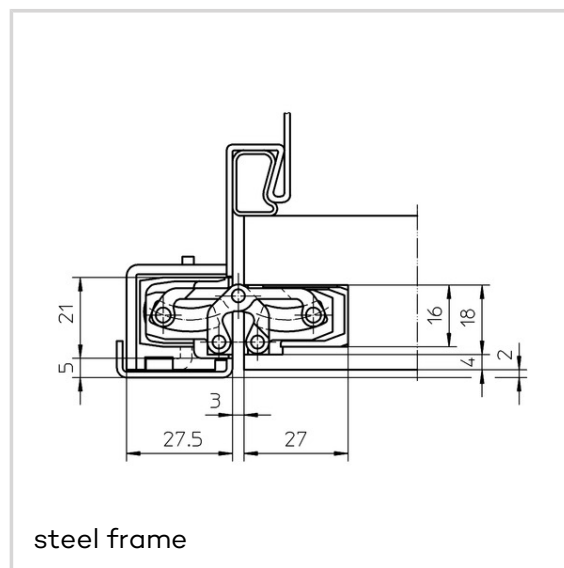
| | |
|----------------|---------------------------------|
| Finish | Satin Chrome Look (F1) (SW 124) |
| VPE | Pack of 2 |
| DIN | DIN right and left hand |
| Article number | 5 400679 0 12402 |
| EAN | 4015471122973 |

| | |
|----------------|---------------------------------|
| Finish | Satin Nickel Look (F2) (SW 125) |
| VPE | Pack of 2 |
| DIN | DIN right and left hand |
| Article number | 5 400679 0 12502 |
| EAN | 4015471123017 |

| | |
|----------------|-------------------------------------|
| Finish | Stainless Steel Look (SSL) (SW 126) |
| VPE | Pack of 2 |
| DIN | DIN right and left hand |
| Article number | 5 400679 0 12602 |
| EAN | 4015471123024 |

| | |
|----------------|-------------------------|
| Finish | Satin Nickel (SW 144) |
| VPE | Pack of 2 |
| DIN | DIN right and left hand |
| Article number | 5 400679 0 14402 |
| EAN | 4015471123772 |

| | |
|----------------|-------------------------|
| Finish | Satin Chrome (SW 146) |
| VPE | Pack of 2 |
| DIN | DIN right and left hand |
| Article number | 5 400679 0 14602 |



TECTUS - TE 240 3D

| | |
|----------------|------------------------------|
| EAN | 4015471123789 |
| Finish | Rustic Umber (SW 156) |
| VPE | Pack of 2 |
| DIN | DIN right and left hand |
| Article number | 5 400679 0 15602 |
| EAN | 4015471123758 |
| Finish | Bronze Metallic (SW 168) |
| VPE | Pack of 2 |
| DIN | DIN right and left hand |
| Article number | 5 400679 0 16802 |
| EAN | 4015471123765 |
| Finish | Bronze Finish (SW 174) |
| VPE | Pack of 2 |
| DIN | DIN right and left hand |
| Article number | 5 400679 0 17402 |
| EAN | 4015471123031 |
| Finish | Bronze Finish light (SW 175) |
| VPE | Pack of 2 |
| DIN | DIN right and left hand |
| Article number | 5 400679 0 17502 |
| EAN | 4015471123048 |
| Finish | Bronze Finish dark (SW 176) |
| VPE | Pack of 2 |
| DIN | DIN right and left hand |
| Article number | 5 400679 0 17602 |
| EAN | 4015471123055 |