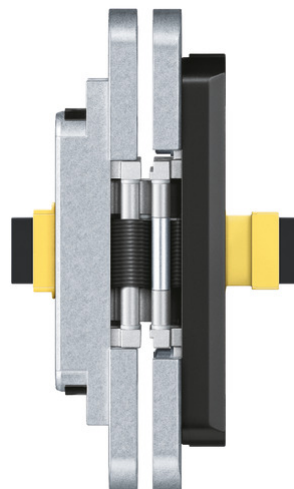


TE 240 3D Energy

with permanent energy transfer for unrebated and rebated flush residential doors



Product features

- with permanent energy transfer
- individual connection adapter options
- completely concealed hinge system
- for timber, steel or aluminium frames
- for unrebated and rebated flush residential doors
- 3D adjustment (side +/- 3.0 mm, height +/- 3.0 mm, compression +/- 1.5 mm)
- maintenance-free slide bearings

Technical data

Property	Value
Load capacity	60.0 kg
Overall length	155.0 mm
Width (door part)	18.0 mm
Width (frame part)	21.0 mm
Cutter diameter	16.0 mm
Collar ring diameter	30.0 mm
Opening angle	180°
Wire cross section	0.14 mm ²
Max. voltage	50 V

Quality marks



CE certification

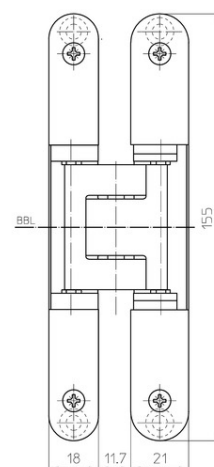


IFT certification

Classification code

2 7 2 0 1 -₁ 0 7

¹ depending on the finish



front view

TECTUS - TE 240 3D Energy

No of wires	16
Max. current	0.8 A

Notes

The load capacity mentioned above refers to the use of 2 hinges per door leaf (1 x 2 m), for detailed information please look at the chapter "technical information".

Application on steel frames is subject to special frame facings.

When ordering the accessories please consider: There are two connection adapters TECTUS Energy needed per hinge. A connection plan can be downloaded.

With an opening position of 180° the door may have to be fixed additionally.

Installation tools

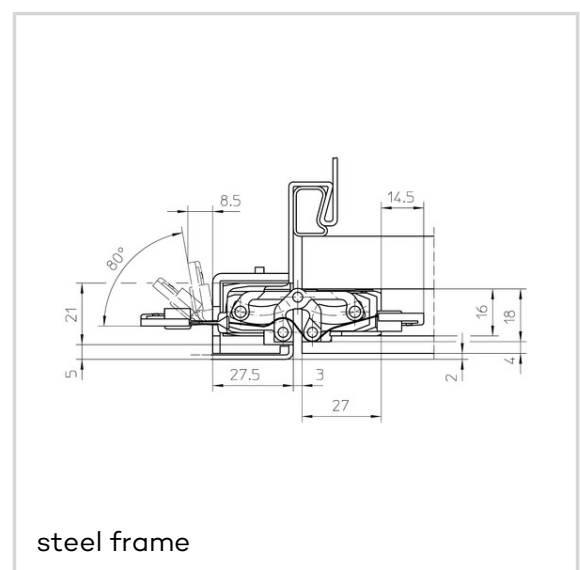
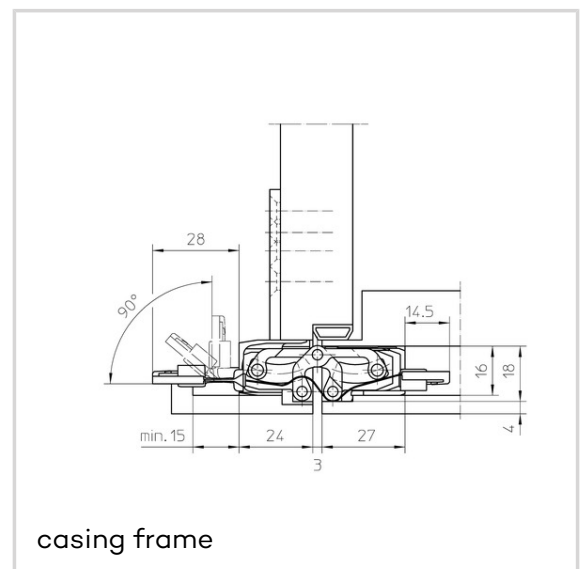
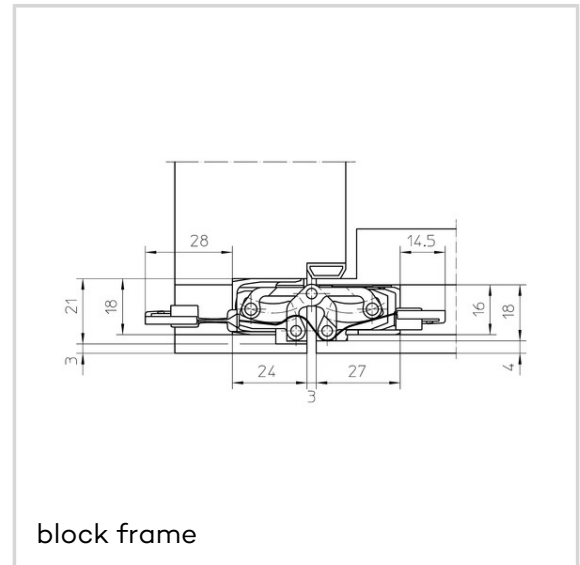
- Universal milling frame
- Template 5 250940 5 additional routing Energy
- Template 5 250691 6 frame
- Template 5 250692 6 door leaf

Combinations

- TE 240 3D FZ
- TE 240 3D SZ
- TE 240 3D ST
- Adapter 1 TECTUS Energy
- Universal adapter TECTUS Energy
- Round cable 3m TECTUS Energy
- Round cable 10m TECTUS Energy
- Adapter set 20 TECTUS Energy
- Adapter set 21 TECTUS Energy

Item versions

Finish	Satin Chrome Look (F1) (SW 124)
--------	---------------------------------



TECTUS - TE 240 3D Energy

VPE	Pack of 1
DIN	DIN right and left hand
Article number	5 400680 0 12401
EAN	4015471123147
Finish	Stainless Steel Look (SSL) (SW 126)
VPE	Pack of 1
DIN	DIN right and left hand
Article number	5 400680 0 12601
EAN	4015471123154