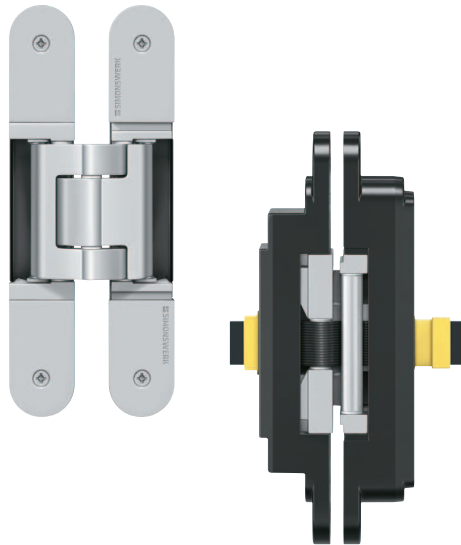
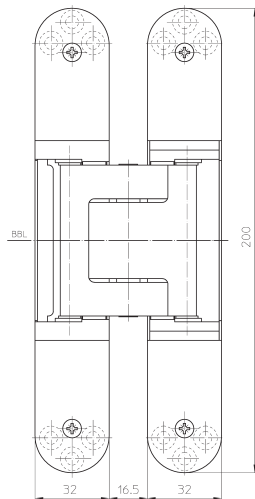


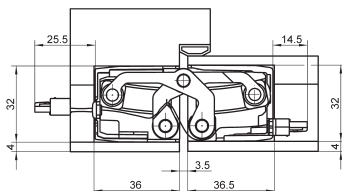
# TECTUS®



e.g. TE 540 3D Energy



e.g. TE 540 3D Energy



e.g. TE 540 3D Energy

## TECTUS Energy

with permanent energy transfer for unrebated heavy-duty doors

hinge	energy transfer	60 – 300 kg
-------	-----------------	-------------

### Product features

- with permanent energy transfer
- individual connection adapter options
- completely concealed hinge system
- for timber, steel or aluminium frames
- for unrebated heavy-duty doors
- 3D adjustment (side +/- 3.0 mm, height +/- 3.0 mm, compression +/- 1.0 mm)
- maintenance-free slide bearings

### Technical details

no. of wires/wire cross section	16 pieces/0,14 mm <sup>2</sup>
max. voltage	50 V (voltage source acc. SELV-DIN EN 61140)
max. current	0,8 A (per wire)
opening angle	180°

### Finishes

Satin Stainless Steel (040) (TE 526 3D Energy and TE 626 3D A8 Energy only), Satin Chrome Look (F1) (124), Stainless Steel Look (SSL) (126), other finishes available upon request

### Combination

receiver	casing frame	TE ... 3D FZ
	steel frame	TE ... 3D SZ
	steel door	TE ... 3D ST
accessories	<b>i</b> round cable	16 x 0.8 A power universal use for all applications cable lengths 3 m or 10 m torsion-proof and snap-fitting connection system
	universal adapter	3 x 3.2 A and 4 x 0.8 A power for direct connection of different power collectors
	adapter 1	3 x 3.2 A and 4 x 0.8 A power
	special adapter for connecting FUHR motor locks	

### Note

- i** The load capacity refers to the use of 2 hinges per door leaf (1 x 2 m).  
Test evidence for functional doors to be achieved with full door sets.  
Please specify accessories when ordering.

### Classification key

Detailed information in our PRODUCTSELECTOR at [www.simonswerk.com](http://www.simonswerk.com)

### Available options

load capacity up to 60 kg	TE 240 3D Energy
load capacity up to 80 kg	TE 340 3D Energy
load capacity up to 100 kg	TE 540 3D A8 Energy
load capacity up to 120 kg	TE 526 3D Energy
	TE 540 3D Energy
load capacity up to 160 kg	TE 640 3D A8 Energy
load capacity up to 200 kg	TE 640 3D Energy
load capacity up to 300 kg	TE 645 3D Energy
	TE 626 3D A8 Energy

Detailed information in our PRODUCTSELECTOR at [www.simonswerk.com](http://www.simonswerk.com)

### QUALITY MARKS

