

Anti-ligature Hardware, Cylinders and Lockcases

14999 102x76 Hinge Grade 14
 Satin Stainless Steel
 Radius Corners
 102mm x 76mm x 3mm
 Supplied with Torx fixings
 CF336 Certifire UKCA

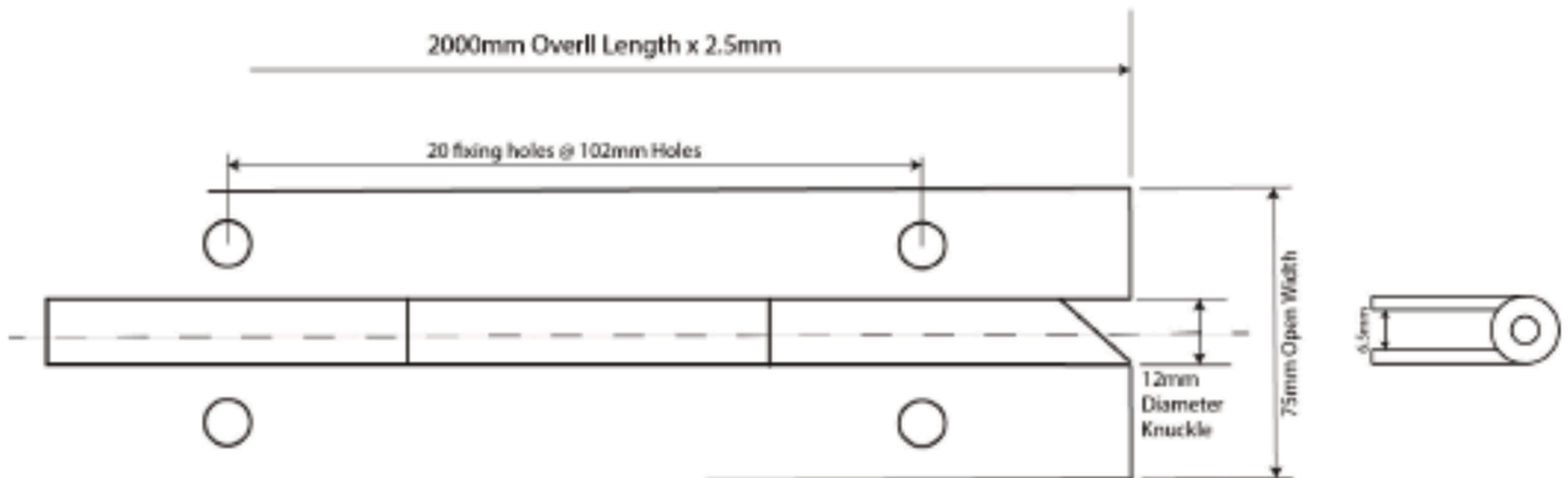


EUCTHINGE
 Continuous Hinge
 200kg Max Weight
 Satin Stainless Steel G304
 75mm x 2000mm x 2.5mm
 102mm x 76mm x 3mm
 12mm diameter knuckle

Continuous Hinge Intumescent
 0.8FF 2.1m x 30 Hinge Pad



Eclipse Ultra Anit Ligature
 Continuous Hinge
 Grade 304 Satin Stainless Steel
 200kg Max Weight



Anti-ligature Hardware, Cylinders and Lockcases

34813 Anti-ligature short lever set
Solid Stainless steel 50mm rose
Hesotype spindle
heavy duty bolt through fixings
8mm spindle for doors 44mm-
60mm



34813M Face Fix Single Lever

34813FBolt Fix Single Lever

Half set recommended for auto
locking with a half spindle to operate



34807

Anti-ligature bathroom turn &
release on 60mm rose. Uses 8mm
spindle, 38mm centres bolt fixings.
Supplied with override key.

UK assembled & tested with
Clutch override.



Anti-ligature Hardware, Cylinders and Lockcases

34810 Anti-ligature Cylinder Turn Set
Thumbturn on rose to suit euro cylinder

With outside euro escutcheon
Cylinder not supplied (on request)
Please check compatibility with cylinder



34820 Anti-ligature Cylinder Turn Set
Thumbturn on rose to suit our
Override Euro Cylinders (below).

The reduced projection of the
Bowling Ball Turn makes these
compatible with DIN sashlocks.

With outside euro escutcheon
Cylinder not supplied cylinder.



EUMK740 Override Euro Cylinder
(Pat. Pending)

Designed with a robust 8mm square
shank for secure fixing to 34820 anti-
ligature turn kit.

Key override anti-barricade for staff,
without the use of a clutch.

Available as Semi or Fully Restricted
suites.



Half Spindle to Operate

228F-44 for 44mm doors
288F-54 for 54mm doors

70399 Euro to 8mm Conversion
Insert



Anti-ligature Escutcheons and Fixings

34804 Escutcheon Set
 55mm diameter x 8mm thick
 Set of Anti-ligature Bolt fixed escutcheons with Torx anti-tamper fixings

34812 Concealed Fix Euro Escutcheon

34811 Face Fix Euro Escutcheon

34804/13.5mm Escutcheon
 55mm diameter x 13.5mm thick
 Anti-ligature face fix escutcheon
 Other sizes are available on request - machined to size

EU OR COVER
 Override Slide Cover with retaining bolt - requires Ultra Key

EU OR KEY
 Emergency Staff Key to operate Slide Cover and Override function on Doorsets AX10 & AX11.

34812BLIND
 Blind escutcheon with 38mm threaded bolt fixing

34811BLIND
 Face Fix escutcheon with 38mm threaded bolt fixing



Anti-ligature Hardware, Cylinders and Lockcases

EUFRDV
Fire Rated Anti-ligature Door
Viewer - FD30/6044mm - 60mm
(key supplied speratley EUORKEY)



34806

Set of Flush Pull, back to back fixing
120mm x 81mm
with Tox bolt through fixings

Facefix also available on request



34808

Coat hook with 2.5kg trip point
G304 Stainless Steel
66mm x 15mm



34814

Pinch Grip Pull Handle on Plate
152mm x 65mm. Supplied with
Torx fixings.
Anti-slip grip.



The Lock Range and Functions

80mm Backset DIN Lockcases, EN12209.
Anti Barricade & auto lock EN179

Radius Strikes and Faceplates

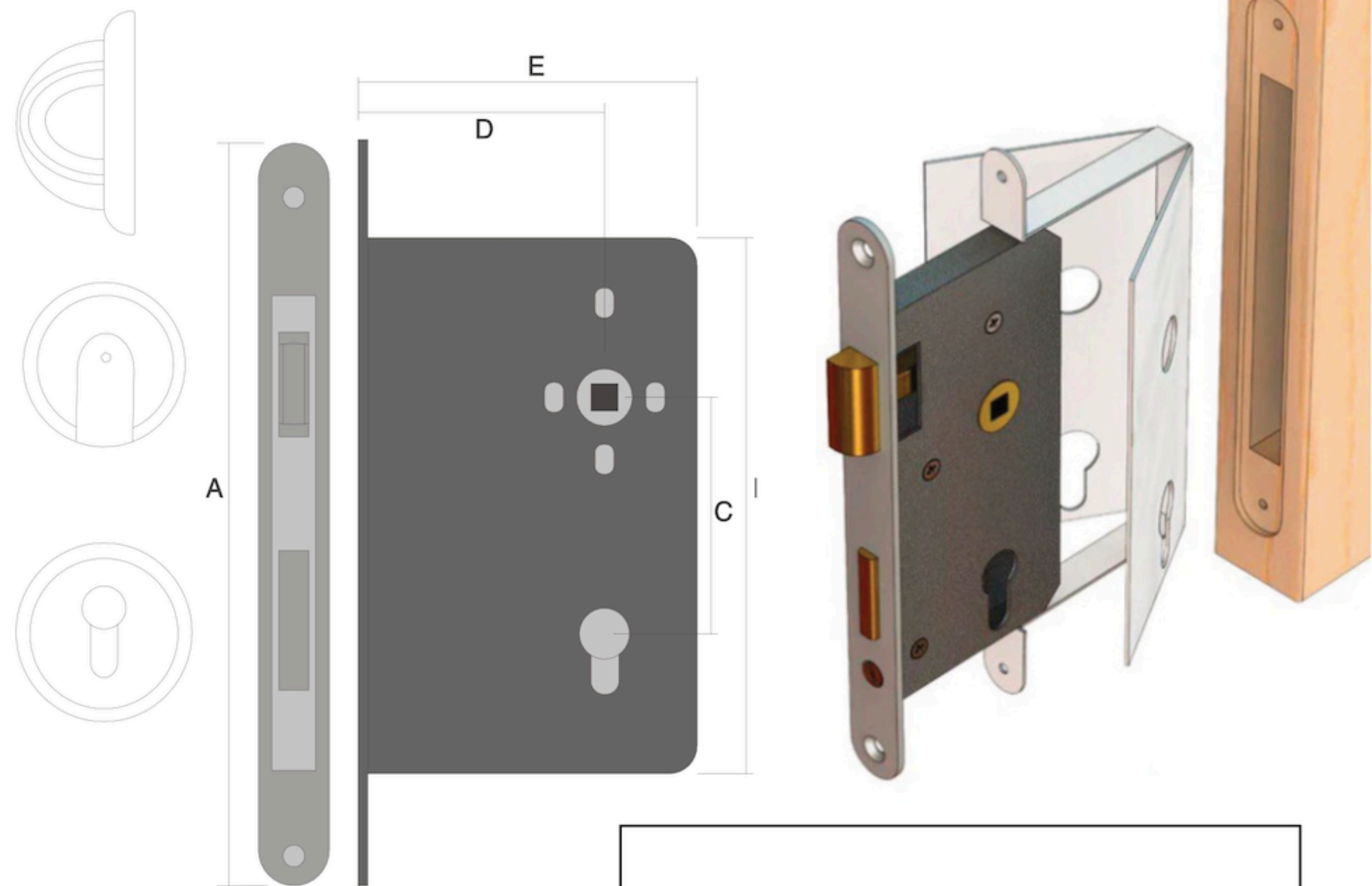
To comply with Fire Regulations, the range of lock cases meet UKCA, CE and Certifire standards. The approved intumescent kit is supplied.

A= 235mm x 24mm

B= 165mm

C= 72mm euro profile 78mm Bathroom

D= 80mm backset



ANTI-BARRICADE OVERRIDE LOCK

EU91680AB 80MM ANTI-BARRICADE RADIUS LOCKCASE

A unique override lockcase, with independent external override function. Available only in doorsets AX10 and AX11.

Euro profile, Roller Ball Latch - adjustable without removing the faceplate.

EN12209, EN179, CE, UKCA



EURO PROFILE ROLLER BOLT DEADLOCK

EU91680SL 80MM EURO DEADLOCK RADIUS LOCKCASE

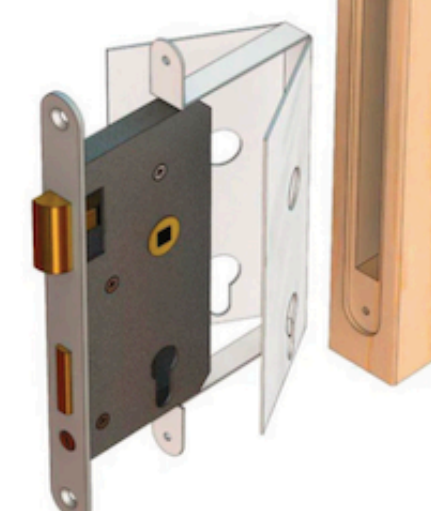
DIN euro deadlock, with roller bolt latch and locking deadbolt.

EN12209, CE, UKCA



80mm INTUMESCENT LOCK JACKET

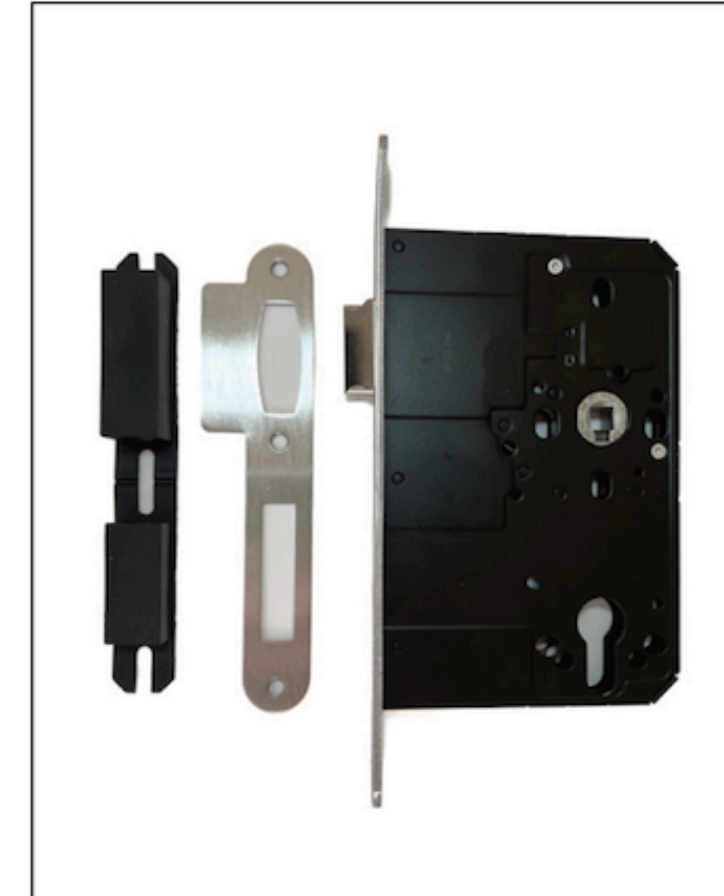
EUDIN80- approved intumescent kit self adhesive for use with all 80mm Lockcases



The Lock Range and Functions

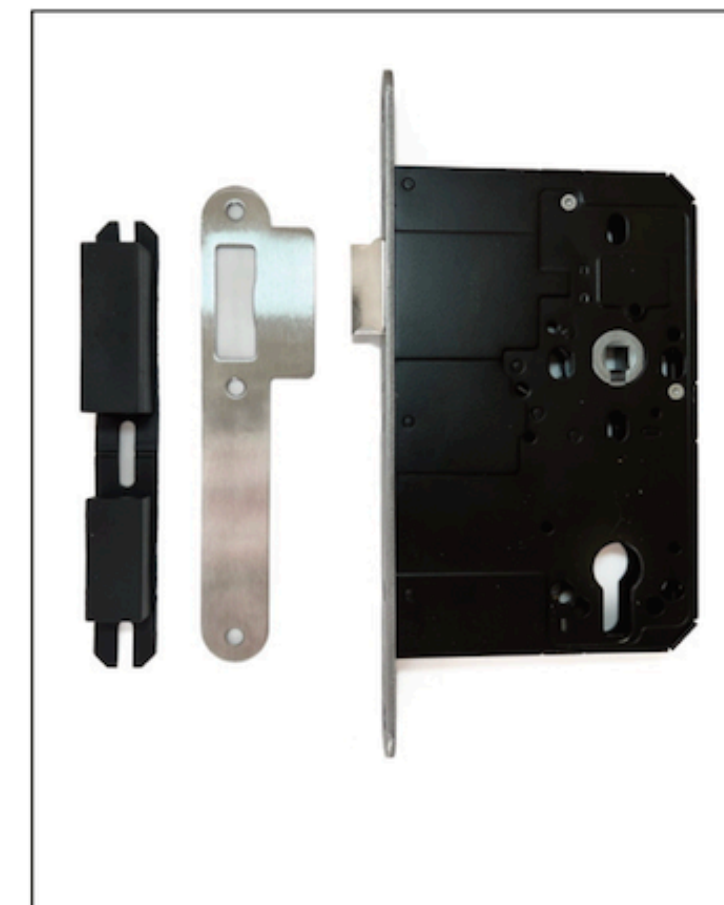
EURO PROFILE SASHLOCK

EU9180SL 80MM EURO SASHLOCK RADIUS LOCKCASE
 Conventional DIN euro sashlock, with deadbolt.
 EN12209, CE, UKCA



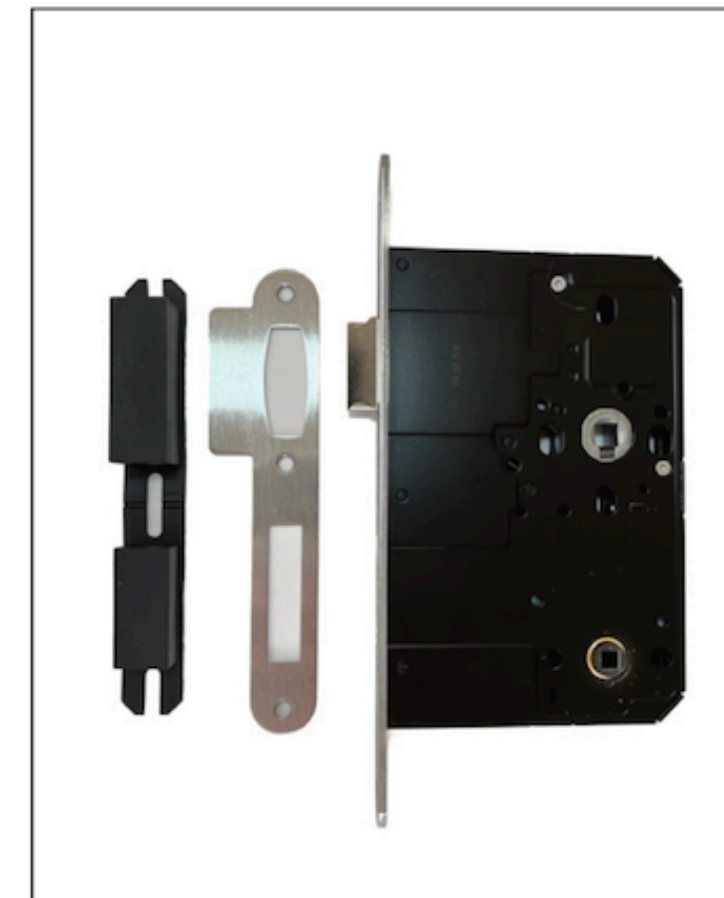
EURO AUTO LOCK

EU81080SL 80MM EURO AUTO LOCKING LOCKCASE
 Mortice nightlatch latch bolt operation
 EN12209, EN179, CE, UKCA



BATHROOM LOCKCASE

EU9130BL 80MM BATHROOM LOCK
 Conventional DIN bathroom lock, with latch. 78mm centres
 8mm followers (with 5mm adaptor)
 EN12209, CE, UKCA



BATHROOM LOCKCASE

EU9130RBL 80MM ROLLER LATCH BATHROOM LOCK
 DIN bathroom lock, with Roller Ball Latch - adjustable without
 removing the faceplate.
 8mm followers (with 5mm adaptor)
 EN12209, CE, UKCA



FULL CASE LATCH

EU91180R 80MM DIN FULL CASE LATCH
 EN12209, CE, UKCA

